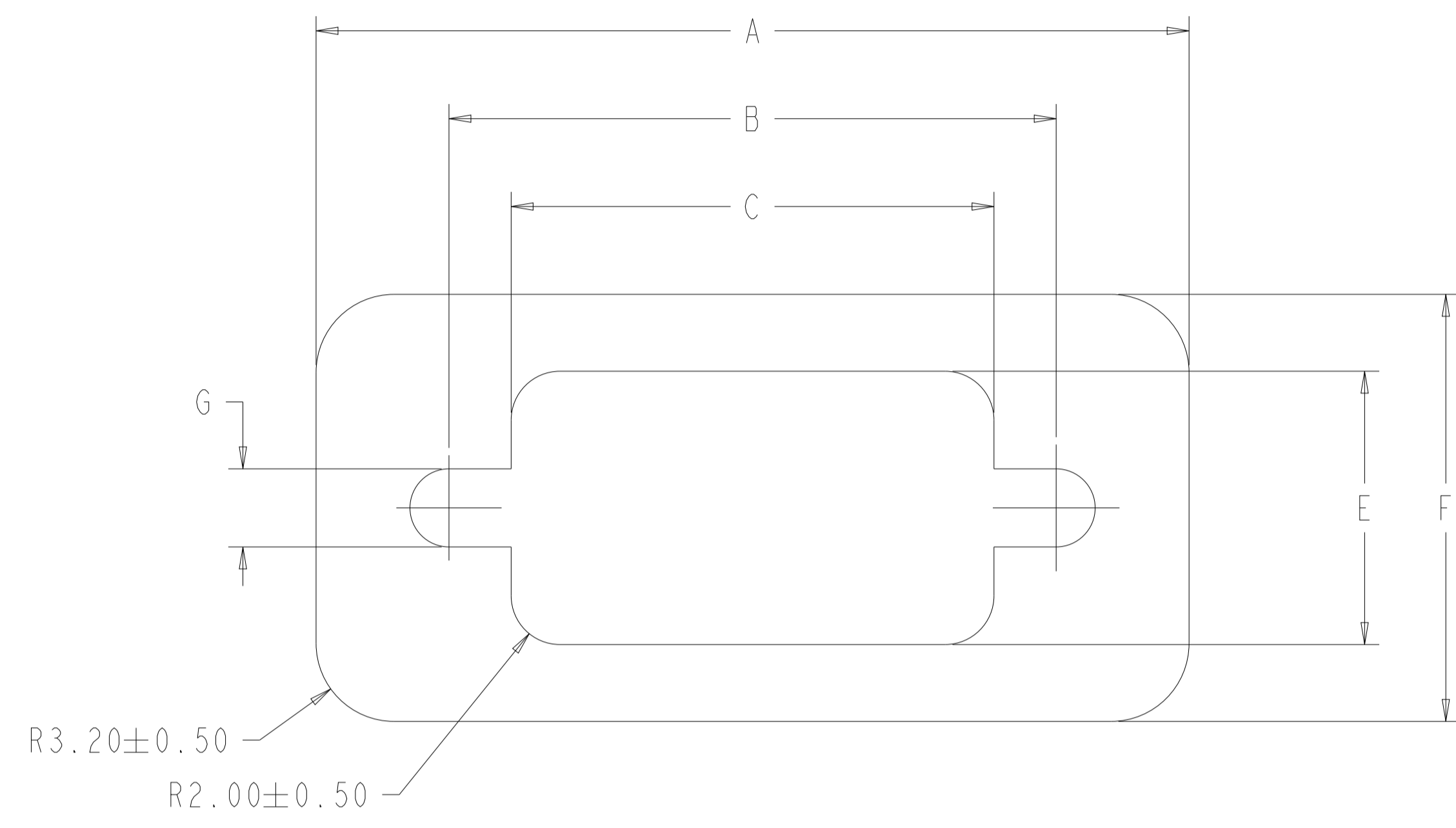
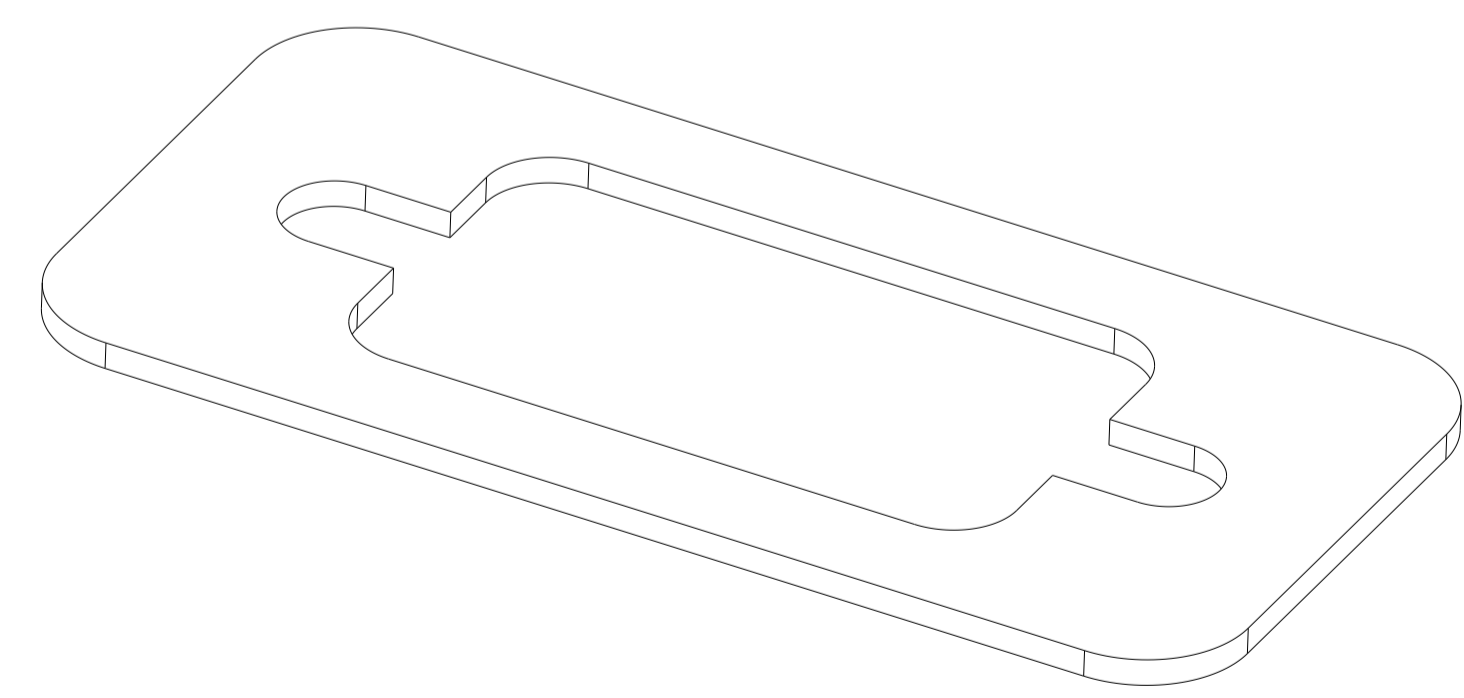


REVISIONS				
P	LTN	DESCRIPTION	DATE	APVD
A		NEW DRAWING	27MAY2024	AN JM



TEST SPECIFICATION / MATERIAL CODE	SILICONE NICKEL ALUMINIUM (SNA)	FLUOROSILICONE NICKEL ALUMINIUM (FNA)
RECOMMENDED OPERATING TEMPERATURE RANGE (°C)	-55 to 125	-55 to 125
SPECIFIC GRAVITY ± 13%	2.000	2.300
SHORE A HARDNESS ± 7	70	70
MAXIMUM VOLUME RESISTIVITY (Ω.CM)	0.100	0.100



ISOMETRIC VIEW (NTS)

MATERIAL	PINS	COLOUR	A±0.5	B±0.4	C±0.2	E±0.2	F±0.5	G±0.2	T±0.15	IPK QTY	IPK QTY	IPK QTY	IPK QTY
										ALIAS PART NUMBER	ALIAS PART NUMBER	ALIAS PART NUMBER	ALIAS PART NUMBER
FNA	50	DARK GREEN	72.10	61.20	56.50	13.90	20.30	6.10	1.60	95-24020-1	2488723-1	95-24020-10	2488703-1
FNA	37	DARK GREEN	74.40	63.50	58.20	11.20	17.50	3.20	1.60	95-24019-1	2488722-1	95-24019-10	2488702-1
FNA	25	DARK GREEN	57.90	47.00	41.90	11.20	17.50	3.20	1.60	95-24018-1	2488721-1	95-24018-10	2488701-1
FNA	15	DARK GREEN	44.20	33.30	28.20	11.20	17.50	3.20	1.60	95-24017-1	2488720-1	95-24017-10	2488700-1
FNA	9	DARK GREEN	35.80	24.90	19.80	11.20	17.50	3.20	1.60	95-24016-1	2488719-1	95-24016-10	2488699-1
FNA	50	DARK GREEN	72.10	61.20	56.50	13.90	20.30	6.10	0.80	95-24015-1	2488718-1	95-24015-10	2488698-1
FNA	37	DARK GREEN	74.40	63.50	58.20	11.20	17.50	3.20	0.80	95-24014-1	2488717-1	95-24014-10	2488697-1
FNA	25	DARK GREEN	57.90	47.00	41.90	11.20	17.50	3.20	0.80	95-24013-1	2488716-1	95-24013-10	2488696-1
FNA	15	DARK GREEN	44.20	33.30	28.20	11.20	17.50	3.20	0.80	95-24012-1	2488715-1	95-24012-10	2488695-1
FNA	9	DARK GREEN	35.80	24.90	19.80	11.20	17.50	3.20	0.80	95-24011-1	2488714-1	95-24011-10	2488694-1
SNA	50	DARK GREY	72.10	61.20	56.50	13.90	20.30	6.10	1.60	95-24010-1	2488713-1	95-24010-10	2488693-1
SNA	37	DARK GREY	74.40	63.50	58.20	11.20	17.50	3.20	1.60	95-24009-1	2488712-1	95-24009-10	2488692-1
SNA	25	DARK GREY	57.90	47.00	41.90	11.20	17.50	3.20	1.60	95-24008-1	2488711-1	95-24008-10	2488691-1
SNA	15	DARK GREY	44.20	33.30	28.20	11.20	17.50	3.20	1.60	95-24007-1	2488710-1	95-24007-10	2488690-1
SNA	9	DARK GREY	35.80	24.90	19.80	11.20	17.50	3.20	1.60	95-24006-1	2488709-1	95-24006-10	2488689-1
SNA	50	DARK GREY	72.10	61.20	56.50	13.90	20.30	6.10	0.80	95-24005-1	2488708-1	95-24005-10	2488688-1
SNA	37	DARK GREY	74.40	63.50	58.20	11.20	17.50	3.20	0.80	95-24004-1	2488707-1	95-24004-10	2488687-1
SNA	25	DARK GREY	57.90	47.00	41.90	11.20	17.50	3.20	0.80	95-24003-1	2488706-1	95-24003-10	2488686-1
SNA	15	DARK GREY	44.20	33.30	28.20	11.20	17.50	3.20	0.80	95-24002-1	2488705-1	95-24002-10	2488685-1
SNA	9	DARK GREY	35.80	24.90	19.80	11.20	17.50	3.20	0.80	95-24001-1	2488704-1	95-24001-10	2488684-1

THIS DRAWING IS A CONTROLLED DOCUMENT.

DIMENSIONS: mm
 TOLERANCES UNLESS OTHERWISE SPECIFIED:
 0 PLC ±0.15
 1 PLC ±0.15
 2 PLC ±0.15
 3 PLC ±0.15
 4 PLC ±0.15
 ANGLES ±0.5°
 FINISH -

MATERIAL: SEE TABLE
 WEIGHT: -
 CUSTOMER DRAWING: -

DWN: AYESHABANU N
 CHK: BASAVARAJA D A
 APVD: J MARTIN
 DATE: 27MAY2024

PRODUCT SPEC: 108-120068
 APPLICATION SPEC: 114-120007

NAME: 95-NA-ELASTOMER-D-SUB-RANGE
 SIZE: A | 00779
 CAGE CODE: 95-NA-D-CONNECTOR-GASKETS
 DRAWING NO: 114-120007
 SHEET 1 OF 1
 SCALE: 5:1
 REV: A

RESTRICTED TO: -
 SCALE: 5:1
 SHEET 1 OF 1
 REV: A