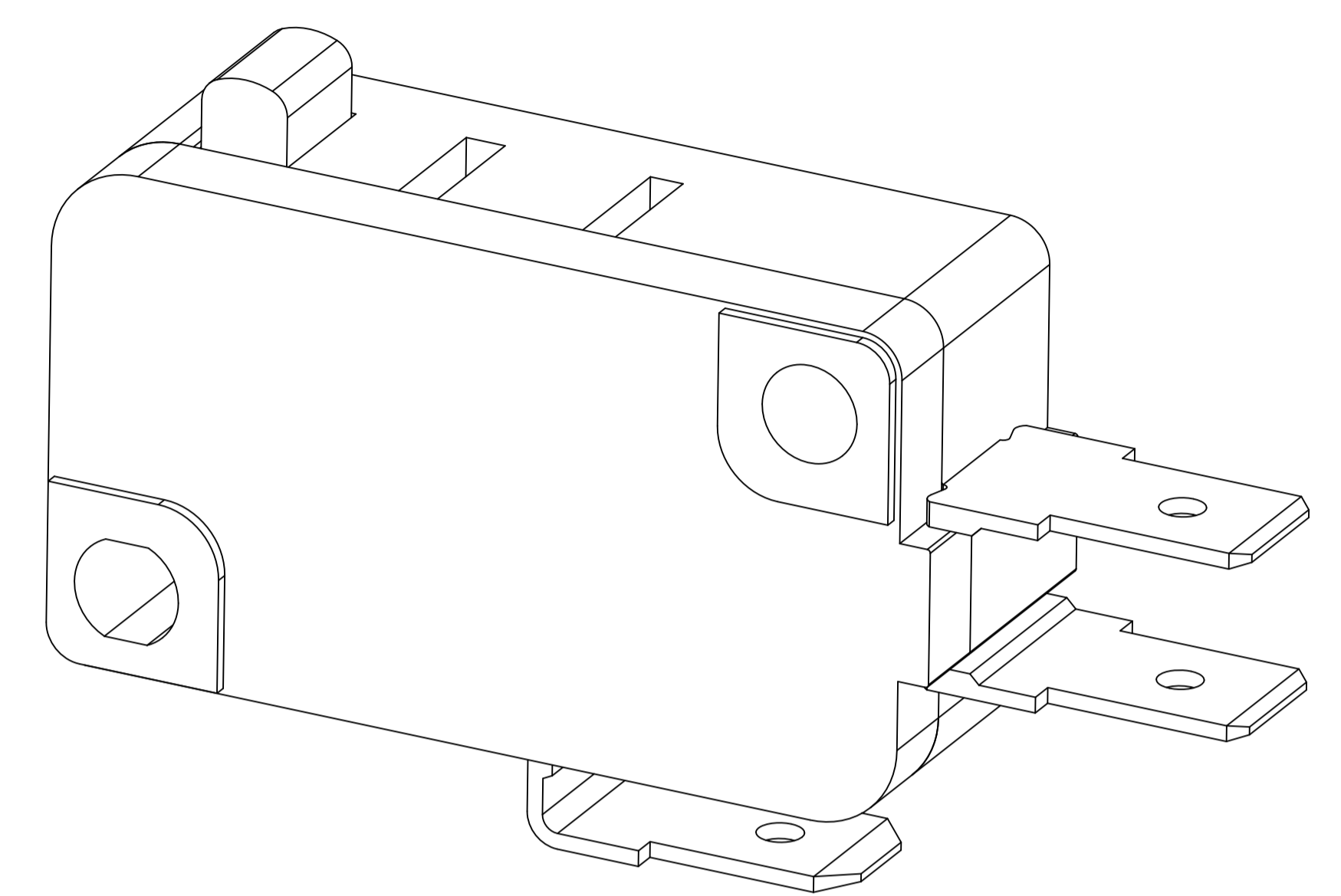
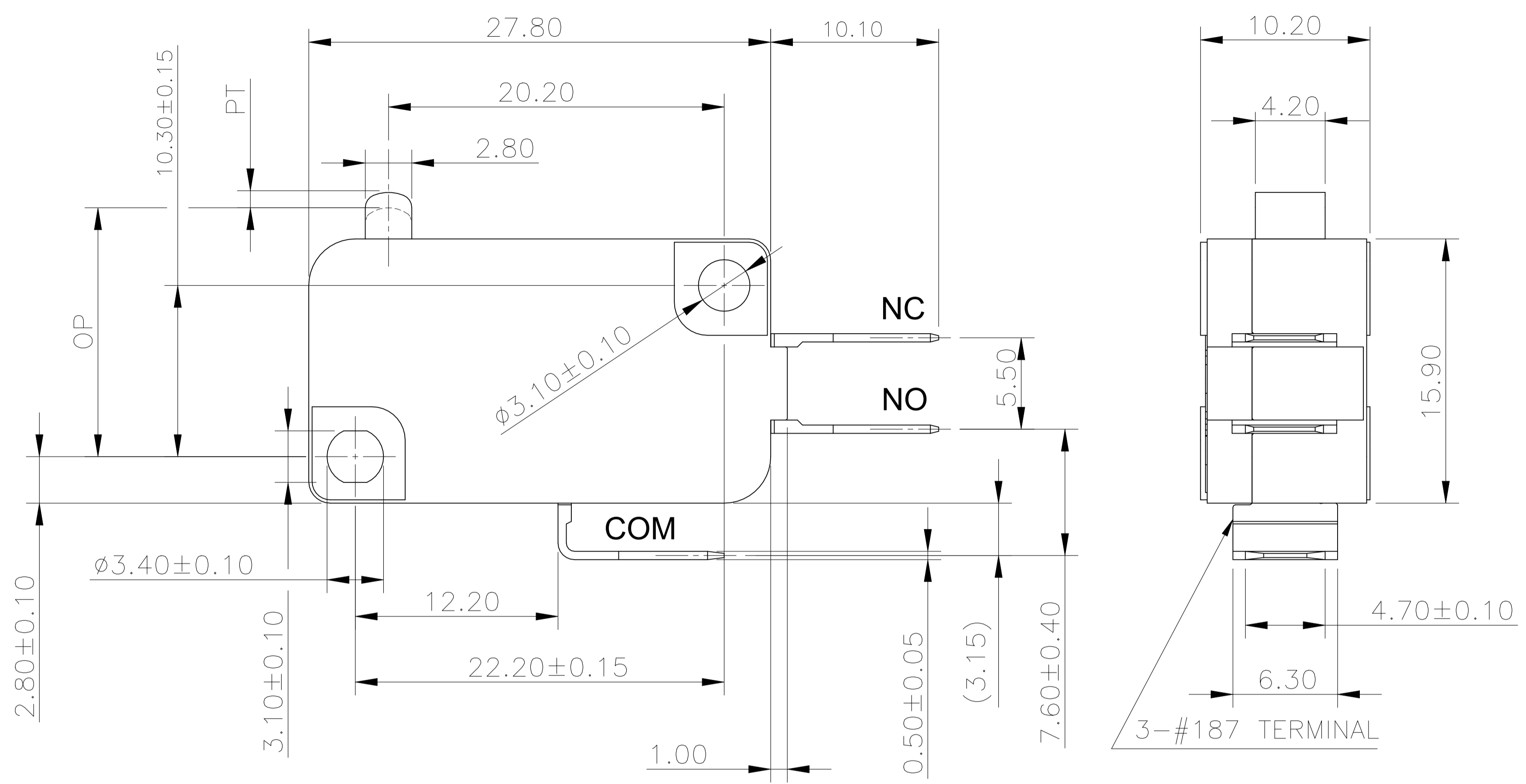


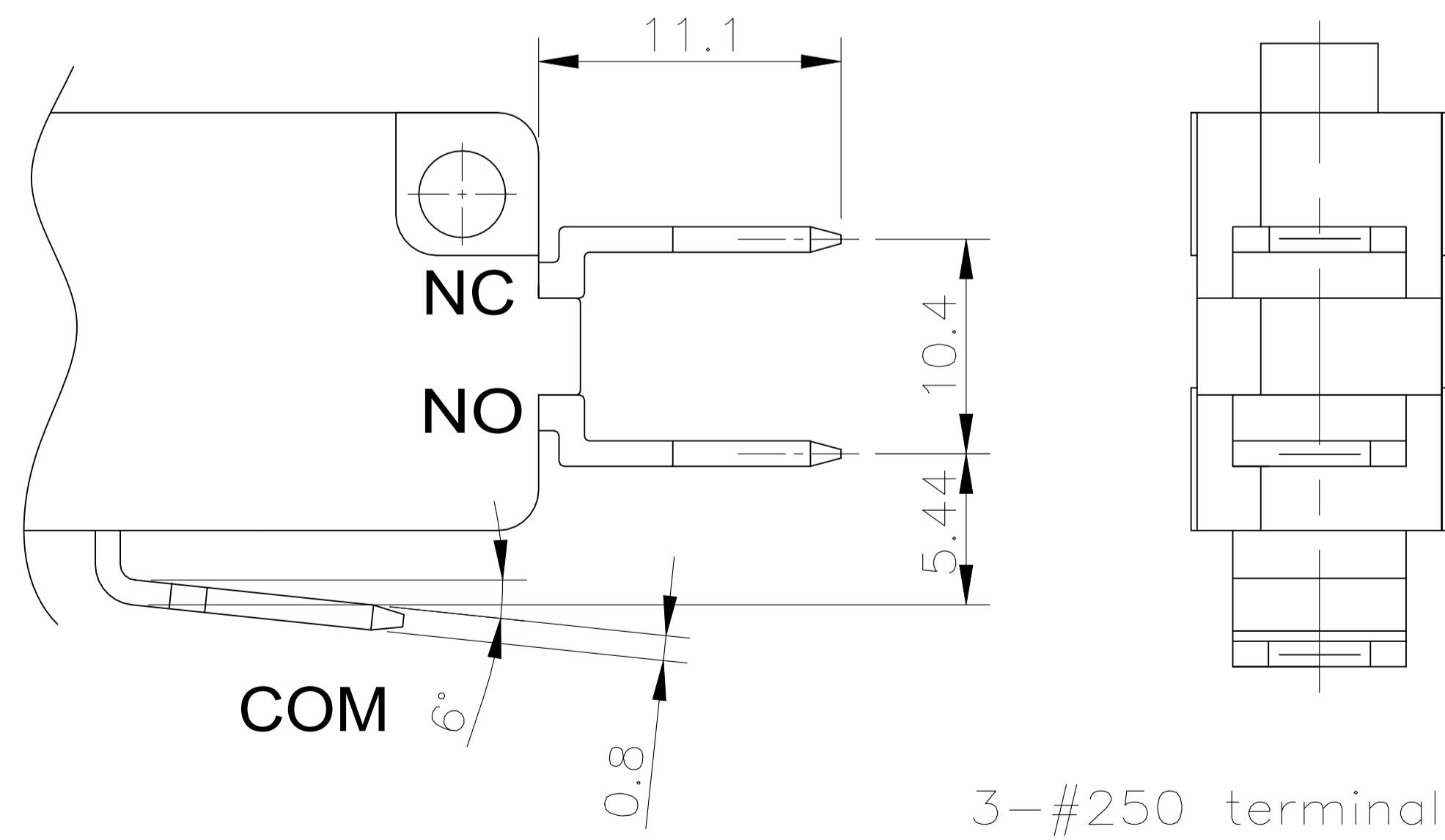
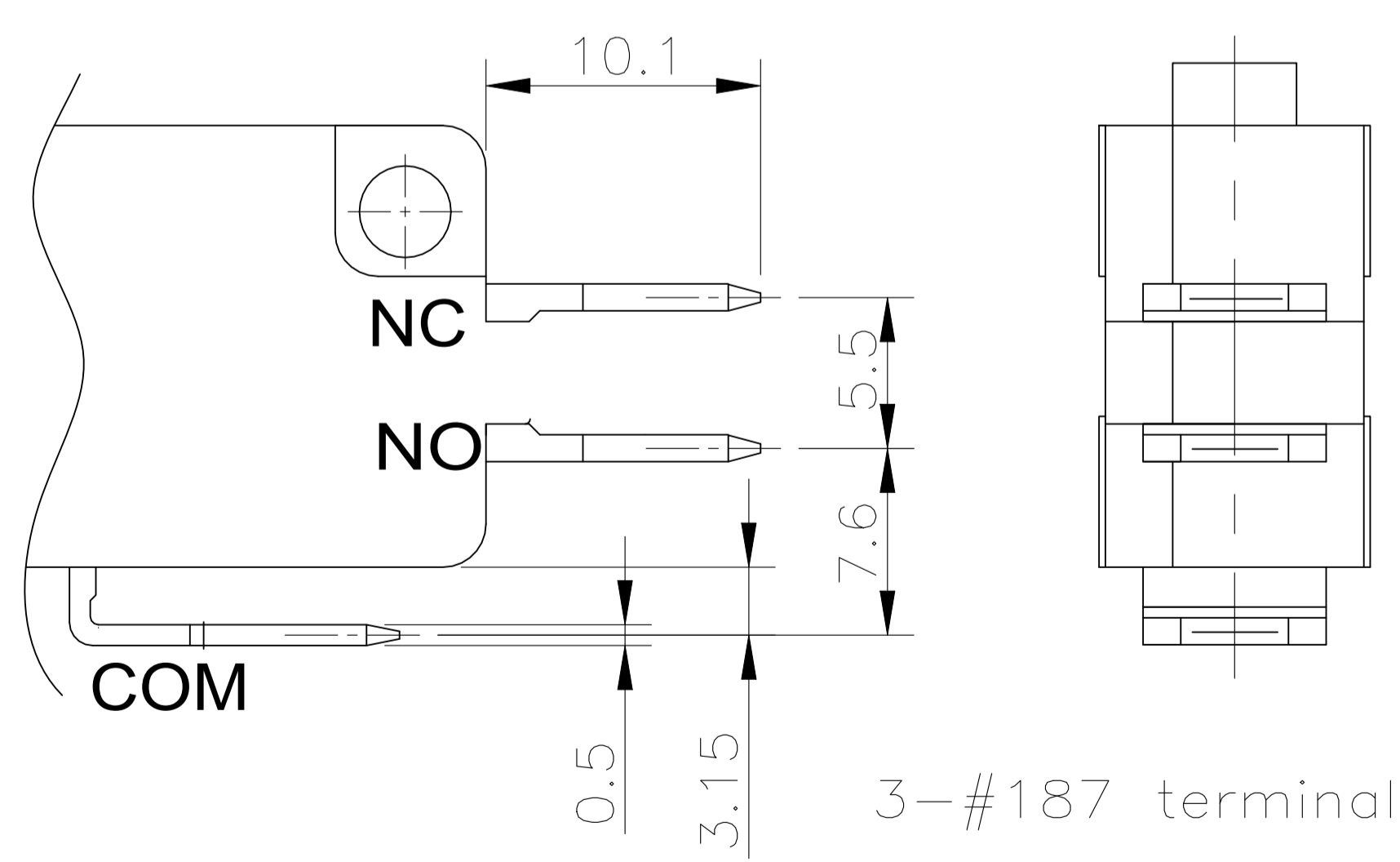
REVISIONS				
REV	DATE	DESCRIPTION	BY	APP'D
1	03MAY2023	NEW DRAWING	LP	MY

OVERALL DIMENSIONS

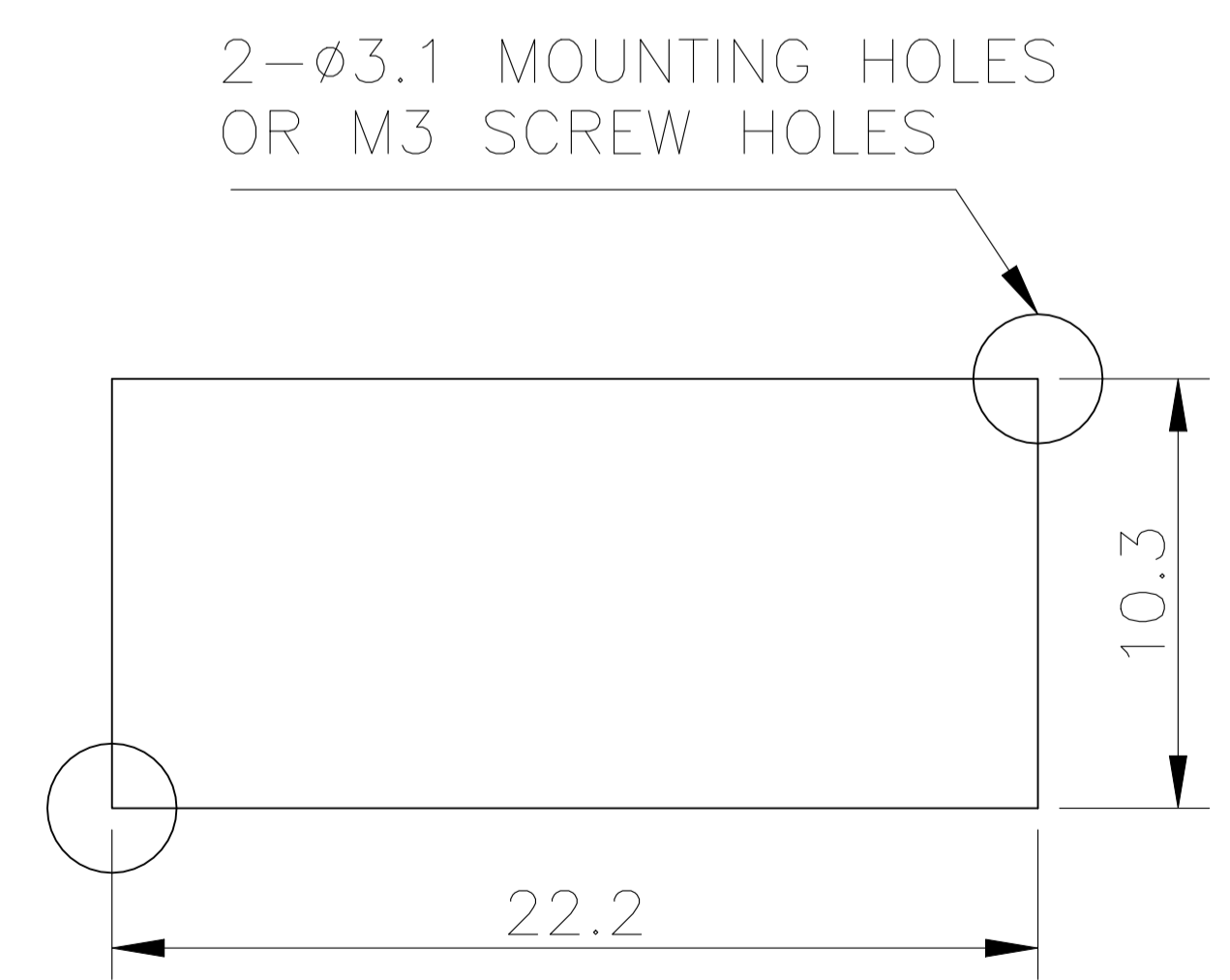


D TYPE
187 SERIES, STRAIGHT (0.5T)

E TYPE
250 SERIES, DOG-LEG (0.8T)



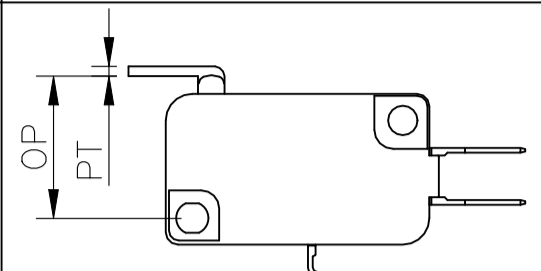
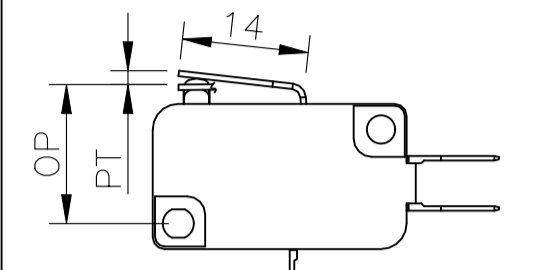
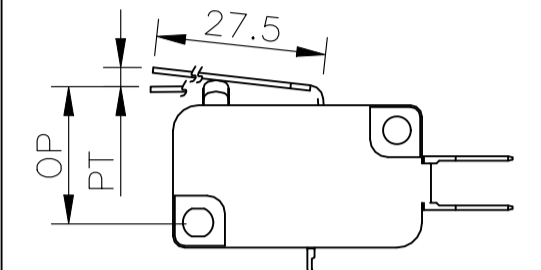
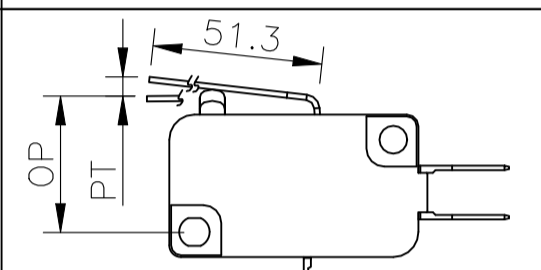
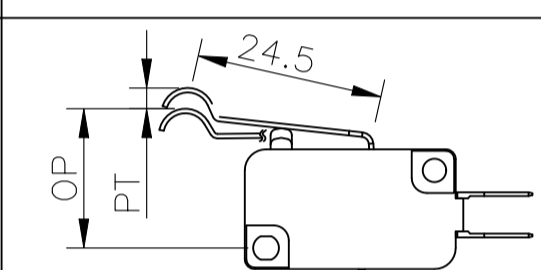
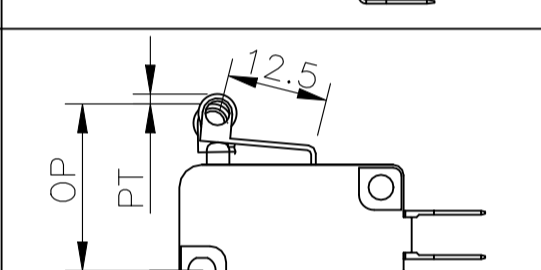
MOUNTING HOLES



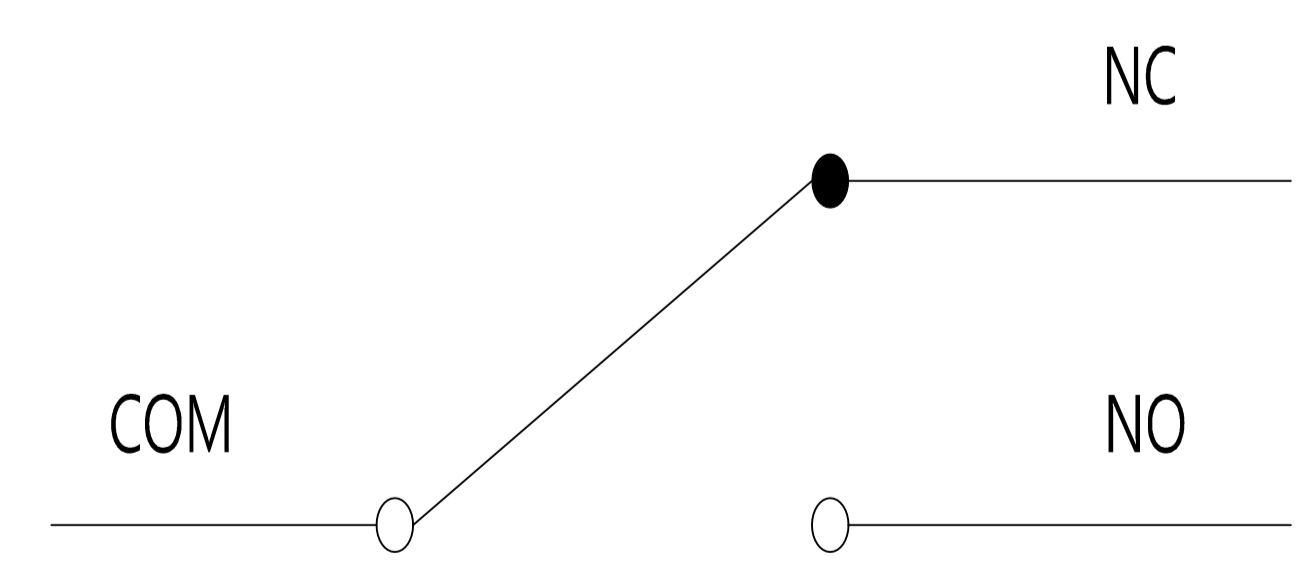
THIS DRAWING IS A CONTROLLED DOCUMENT.		DIN LINGANATHAN P. 03MAY2023	TE Connectivity	
DIMENSIONS: mm		CHK MANOJ YADAV 03MAY2023	NAME 26 A HIGH CURRENT SNAP ACTION SWITCH	
TOLERANCES UNLESS OTHERWISE SPECIFIED:		AP'D MANOJ YADAV 03MAY2023	PRODUCT SPEC	
0. PLC ± 0.1 1. PLC ± 0.15 2. PLC ± 0.2 3. PLC ± 0.25 4. PLC ± 0.3 ANGLES ± 0.5		APPLICATION SPEC		
MATERIAL		SIZE A1	CAGE CODE 00779	DRAWING NO. C=2435262
FINISH		WEIGHT	SCALE 1:1	SHEET 1 OF 3
CUSTOMER DRAWING		REV 1		

OPERATING CHARACTERISTICS

REVISIONS				
REV	DATE	DESCRIPTION	BY	APP'D
1		SEE SHEET 1		

SWITCH TYPE	PART SUFFIX	OPERATING FORCE MAX. OF Max. (gf)	OPERATING POSITION OP (mm)	PRE-TRAVEL MAX. PT MAX. (mm)	OVER-TRAVEL MIN. OT MIN. (mm)	MOVEMENT DIFFERENTIAL MAX. MD MAX. (mm)
		Q				
HCP26DTD0□04		350	14.7±0.5	1.9	1.0	0.4
HCP26DTD1□04		340	15.3±0.5	2.8	1.0	0.5
HCP26DTD2□04		185	15.3±1.1	5.9	1.2	1.0
HCP26DTD3□04		110	15.3±2.4	9.3	-	2.1
HCP26DTD4□04		205	18.7±1.3	5.5	1.9	1.1
HCP26DTD5□04		375	20.7±0.6	2.7	1.1	0.45

CONTACT CONFIGURATION



HCP26DTE5Q04	HCP Series 26A, Heaviest Force, 0.250 Terminal, Short Roller	1-2435262-2	12
HCP26DTD5Q04	HCP Series 26A, Heaviest Force, 0.187 Terminal, Short Roller	1-2435262-1	11
HCP26DTE4Q04	HCP Series 26A, Heaviest Force, 0.250 Terminal, Simulated Roller	1-2435262-0	10
HCP26DTD4Q04	HCP Series 26A, Heaviest Force, 0.187 Terminal, Simulated Roller	2435262-9	9
HCP26DTE3Q04	HCP Series 26A, Heaviest Force, 0.250 Terminal, Extended Lever	2435262-8	8
HCP26DTD3Q04	HCP Series 26A, Heaviest Force, 0.187 Terminal, Extended Lever	2435262-7	7
HCP26DTE2Q04	HCP Series 26A, Heaviest Force, 0.250 Terminal, Normal Lever	2435262-6	6
HCP26DTD2Q04	HCP Series 26A, Heaviest Force, 0.187 Terminal, Normal Lever	2435262-5	5
HCP26DTE1Q04	HCP Series 26A, Heaviest Force, 0.250 Terminal, Small Lever	2435262-4	4
HCP26DTD1Q04	HCP Series 26A, Heaviest Force, 0.187 Terminal, Small Lever	2435262-3	3
HCP26DTE0Q04	HCP Series 26A, Heaviest Force, 0.250 Terminal, No Lever	2435262-2	2
HCP26DTD0Q04	HCP Series 26A, Heaviest Force, 0.187 Terminal, No Lever	2435262-1	1
TE SMART NUMBER	DESCRIPTION	TE PN	SL No.

THIS DRAWING IS A CONTROLLED DOCUMENT.

DIMENSIONS: mm

TOLERANCES UNLESS OTHERWISE SPECIFIED:

0. PLC	±	-
1. PLC	±	-
2. PLC	±	-
3. PLC	±	-
4. PLC	±	-
ANGLES	±	-

MATERIAL: - FINISH: -

APPROVED: LINGANATHAN P. 03MAY2023
 CHK: MANOJ YADAV 03MAY2023
 APD: MANOJ YADAV 03MAY2023

NAME: 26 A HIGH CURRENT SNAP ACTION SWITCH

APPLICATION SPEC: -

SIZE: A1 CAGE CODE: 00779 DRAWING NO: 2435262

WEIGHT: -

CUSTOMER DRAWING SCALE: 1:1 SHEET 2 OF 3 REV 1

REVISIONS				
REV	DATE	DESCRIPTION	BY	APP'D
-	-	SEE SHEET 1	-	-

SPECIFICATIONS

- CONTACT RESISTANCE(INITIAL)
MAX. 300 MΩ
MEASURED BY OHM METER – OPEN VOLTAGE < 1VDC, DRIVER CURRENT –100 mA
- INSULATION RESISTANCE (AT 500 VDC / MINUTE)
MIN. 100 MΩ
- DIELECTRIC STRENGTH
MIN. 500VAC(50–60Hz)/MINUTE BETWEEN LIVE PARTS.
MIN. 1500VAC(50–60Hz)/MINUTE BETWEEN LIVE PARTS AND DEAD METAL PARTS
- OPERATING TEMPERATURE RANGE
–40°C TO 125°C (WITH NO ICING)
- VIBRATION
10~55Hz, DISPLACEMENT 0.75 MM (P–P)
- ELECTRICAL SERVICE LIFE
0.1A – MIN. 1,000,000 OPERATIONS
OTHERS RATING – MIN. 10,000 OPERATIONS
- ELECTRICAL OPERATING FREQUENCY
10~30 OPERATIONS PER MINUTE
- MECHANICAL SERVICE LIFE
MIN. 10,000,000 OPERATIONS
- MECHANICAL OPERATING FREQUENCY
120 OPERATIONS PER MINUTE
- OPERATING APPLICATION OF THE SWITCH
SET THE SWITCH PUSHING DISTANCE FROM 60% TO 90% OF THE SPECIFIED OT VALUE

CAUTIONS:

- TO SECURE THE SWITCH, PLEASE USE AN M3 SMALL SCREW ON A FLAT SURFACE AND TIGHTEN WITH PLANE WASHERS OR SPRING WASHERS TO SECURELY MOUNT THE SWITCH, USING A MAXIMUM TORQUE OF 0.59 N•M.
- TO ENSURE THE BEST PERFORMANCE OF THE SWITCH, WHEN HANDLING/INSTALLING THE SWITCH, PLEASE DO NOT APPLY UNEVEN PRESSURE TO THE DIRECTION INDICATED BY THE ARROW IN (FIGURE –1). ANY UNEVEN PRESSURE OR PRESSURE DIRECTION OTHER THAN THE OPERATING DIRECTION MIGHT BE HARMFUL OR DAMAGE THE SWITCH PERFORMANCE.

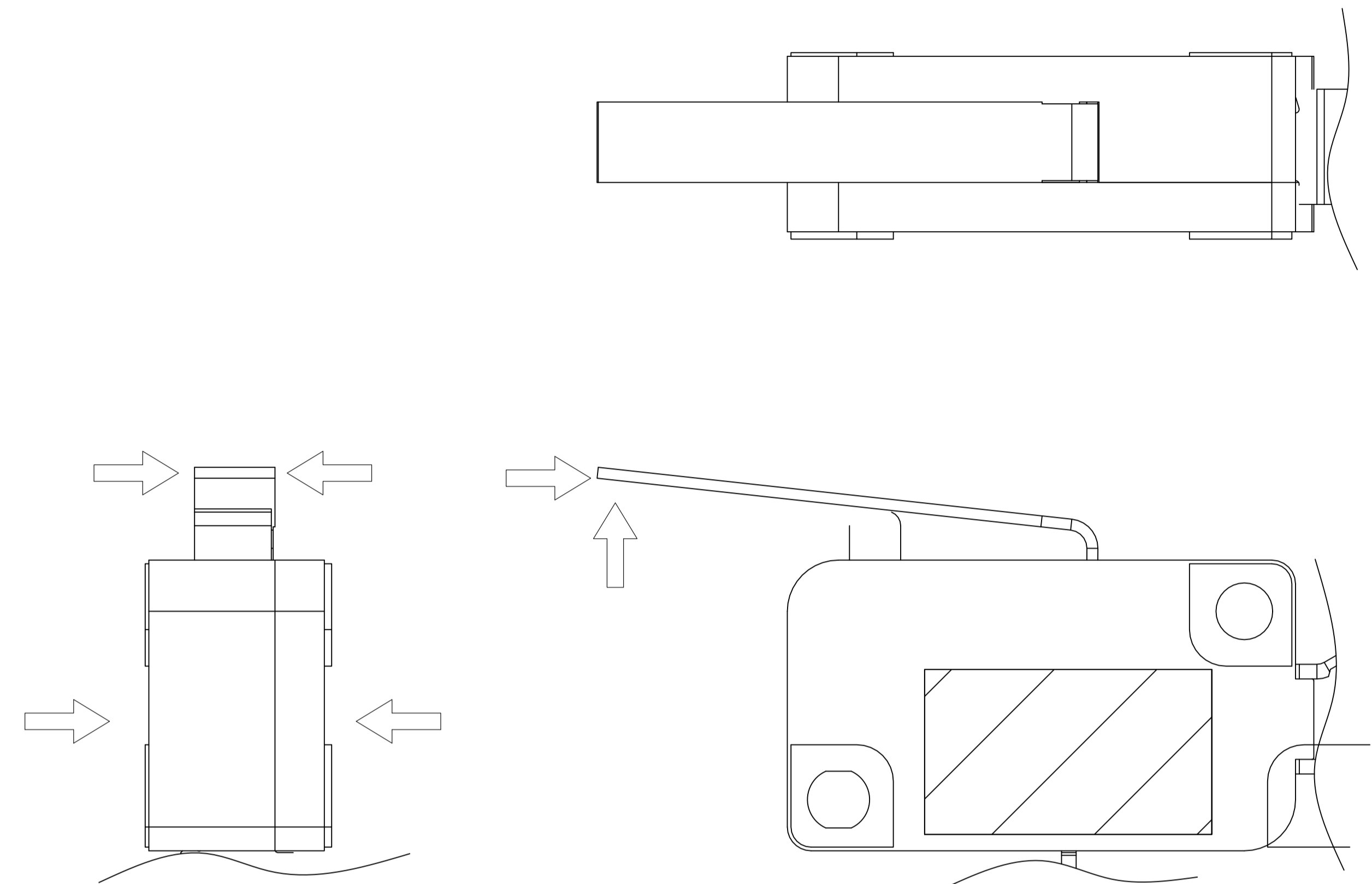
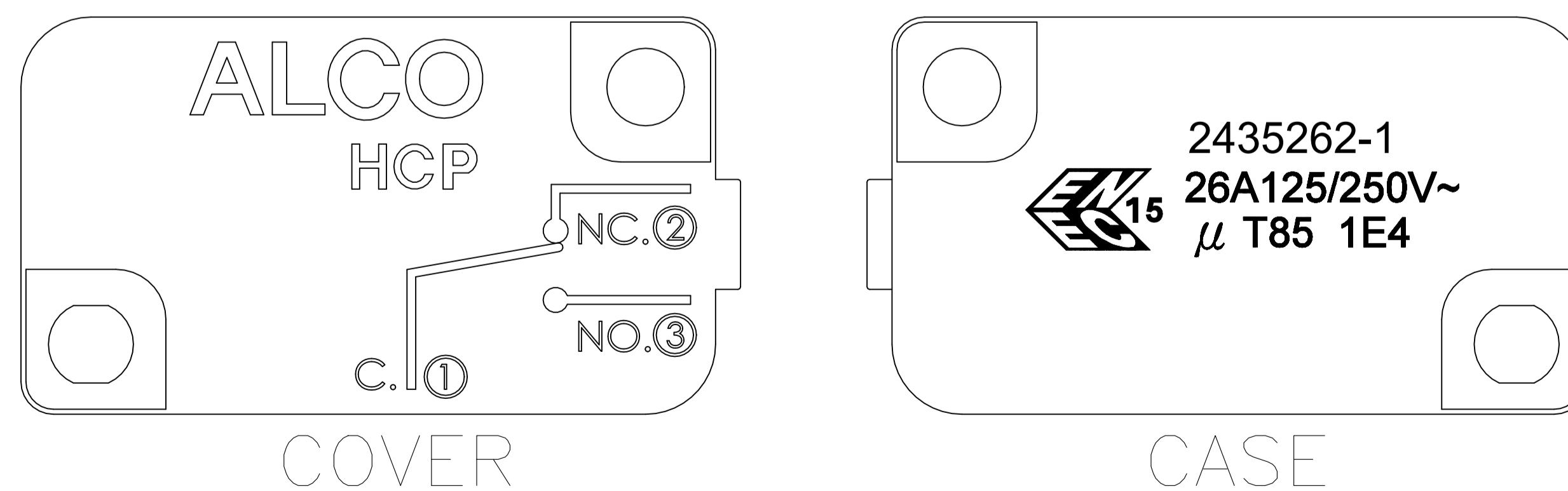


FIGURE – 1

MARKING DRAWING



THIS DRAWING IS A CONTROLLED DOCUMENT.		DIN LINGANATHAN P. 03MAY2023		TE Connectivity	
DIMENSIONS: mm		CHK MANOJ YADAV 03MAY2023		NAME 26 A HIGH CURRENT SNAP ACTION SWITCH	
TOLERANCES UNLESS OTHERWISE SPECIFIED:		APP'D MANOJ YADAV 03MAY2023		RESTRICTED TO	
0. PLC ± -		PRODUCT SPEC		SIZE A1	
1. PLC ± -		APPLICATION SPEC		CAGE CODE 00779	
2. PLC ± -		WEIGHT		DRAWING NO. 2435262	
3. PLC ± -		MATERIAL		SCALE 1:1	
4. PLC ± -		FINISH		SHEET 3 OF 3	
ANGLES ± -		CUSTOMER DRAWING		REV 1	