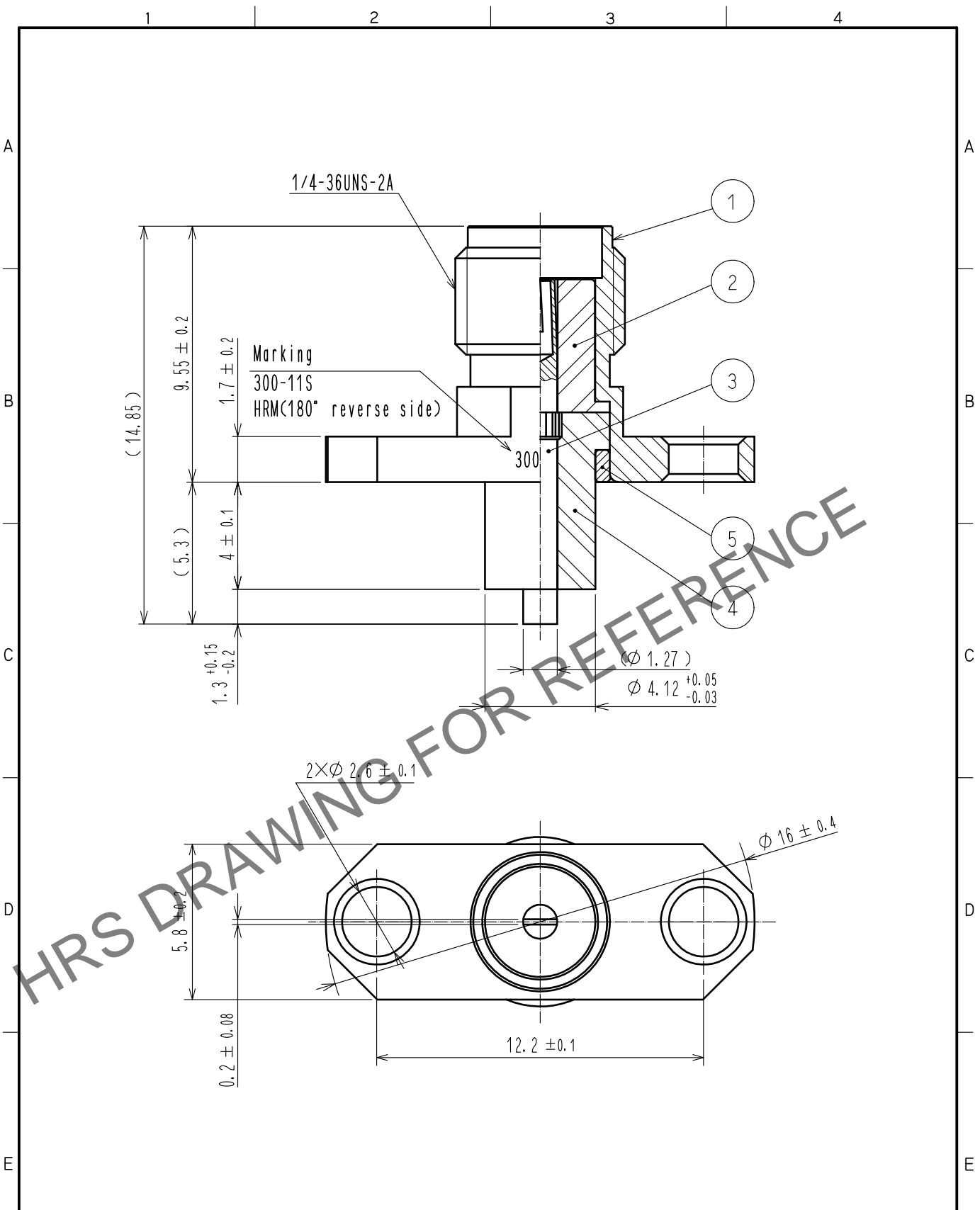
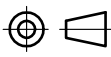





Sep.1.2024 Copyright 2024 HIROSE ELECTRIC CO., LTD. All Rights Reserved.
 In case of consideration for using Automotive equipment / device which demand high reliability, kindly contact our sales window correspondents.



3	BERYLLIUM COPPER	GOLD PLATING		5	STAINLESS STEEL	PASSIVATE		
2	PTFE			4	PTFE			
1	STAINLESS STEEL	PASSIVATE						
NO.	MATERIAL	FINISH	REMARKS	NO.	MATERIAL	FINISH	REMARKS	
UNITS		SCALE	COUNT	DESCRIPTION OF REVISIONS		DESIGNED	CHECKED	DATE
mm		5 : 1						
 HIROSE ELECTRIC CO., LTD.		APPROVED	·NK. NINOMIYA	20220209	DRAWING NO.	EDC-008388-00-00		
		CHECKED	·NK. NINOMIYA	20220209	PART NO.	HRM-300-11S		
		DESIGNED	·MT. KANEKO	20220208	CODE NO.	CL0323-0215-5-00		
		DRAWN	·NK. OOSHIMA	20220208		 1/1		