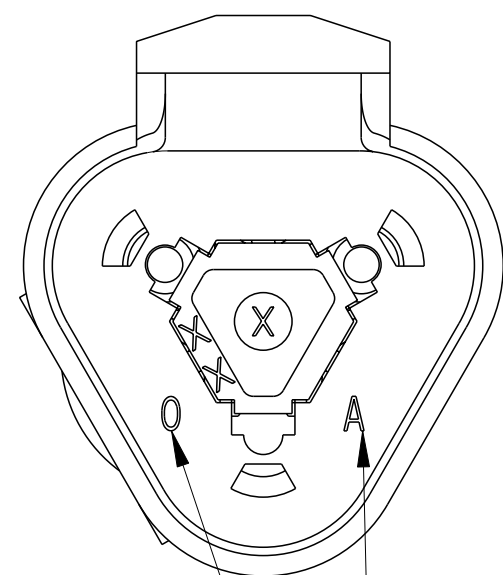
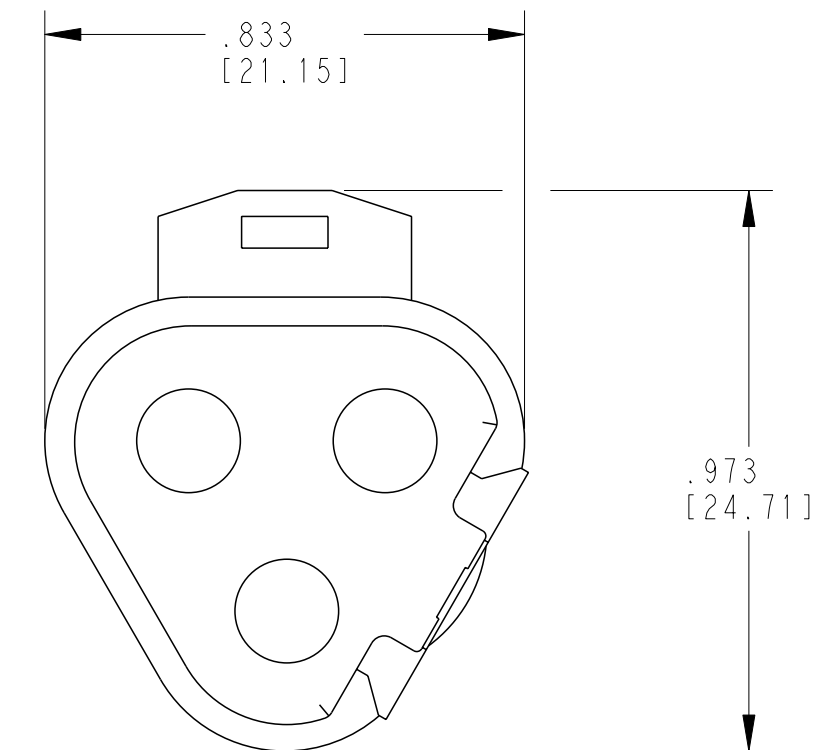
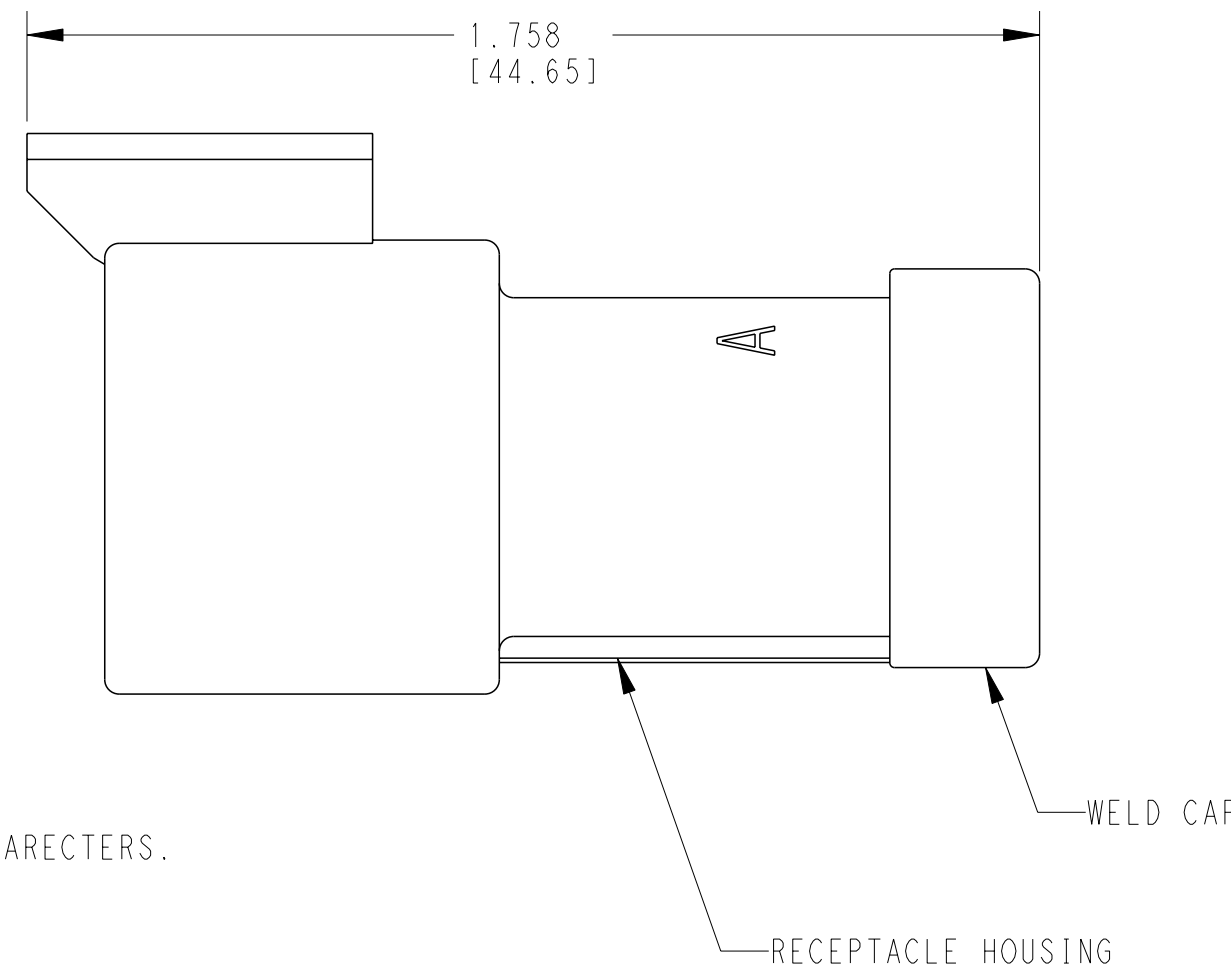
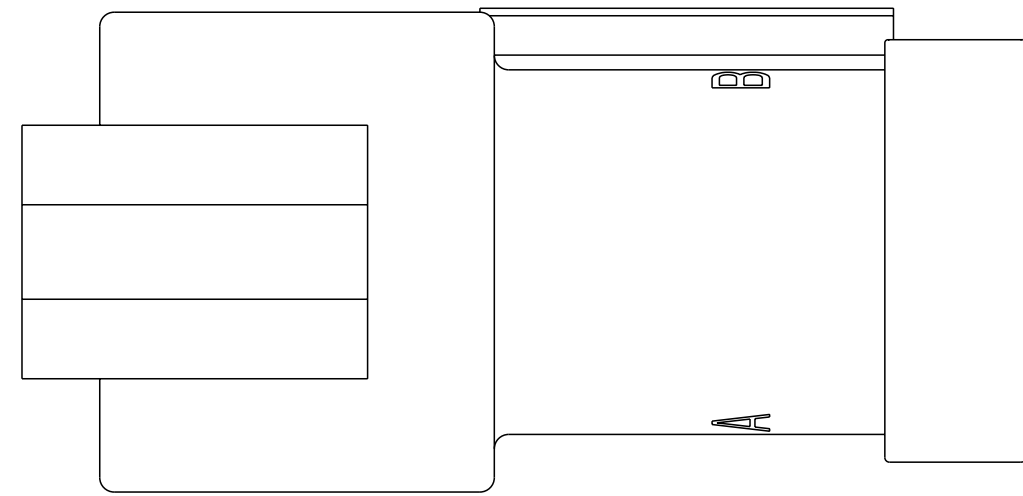
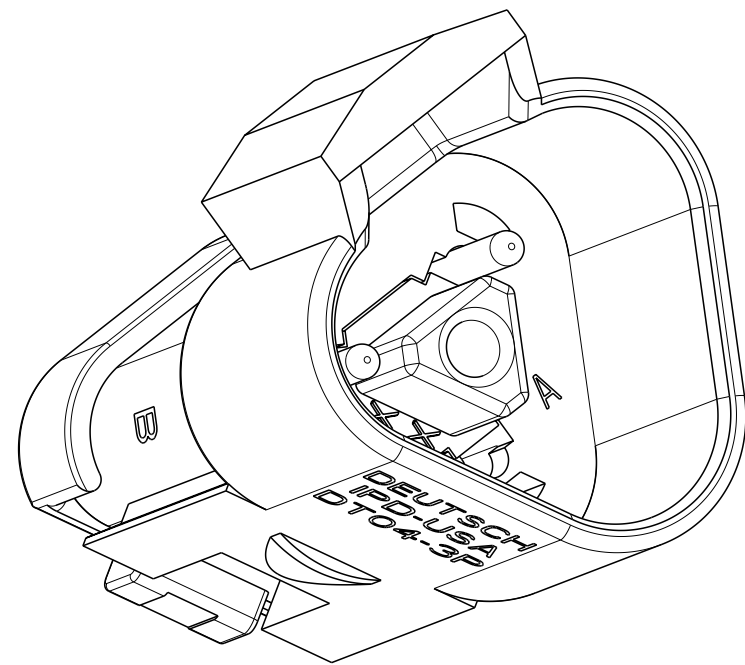


P	LTR	DESCRIPTION	DATE	DWN	APVD
B		REVISED PER PCN-23-192205	19APR2024	PS	CB



DATE CODE:
MONTH IS REPRESENTED BY SEQUENTIAL ALPHA CHARECTERS.
EX: A=JANUARY

DATE CODE:
YEAR IS REPRESENTED BY LAST NUMERICAL DIGIT.
EX: 0=2020

6 MADE IN; CHINA = CN, MEXICO = MX, INDIA = IN.

5 120 Ω RESISTOR IS INSERTED INTO CAVITIES A AND B RESISTOR CHARACTERISTICS:
120Ω ±10%, .4 WATTS MINIMUM.

4 MATERIAL: HOUSING: PA66 GF15, (GRAY)
CAP: PA66 GF15, (BLACK)
GROMMET: VMQ (RED-ORANGE)
FRONT SEAL: VMQ (RED-ORANGE)
WEDGE LOCK: PBT GF30 (BLUE)
PIN TERMINALS: COPPER ALLOY; GOLD PLATED

3. THIS RECEPTACLE MATES WITH THE DT06-3S-XXXX PLUG (XXXX = J1939 ALL MODIFICATIONS).
CONSULT FACTORY FOR MODIFICATIONS.

2. FOR CONTACTS AND WIRE PERFORMANCE AND APPLICATION CHARACTERISTICS
SEE ENVOLPOE DRAWING 0425-015-0000 AND 0425-017-0000.

1. SECONDARY WEDGE LOCK W3P-1939 IS KEYED AND INCLUDED
TO PREVENT MISMATING AND MAY NOT MATE WITH ALL 3 WAY DT
SERIES PLUGS.

NOTES:

TE INTERNAL PN	DEUTSCH PN
DT04-3P-P006	DT04-3P-P006

THIS DRAWING IS A CONTROLLED DOCUMENT.		DWN S. THEIS 07JUL1999		
DIMENSIONS: in [mm]		CHK S. THEIS 08JUL1999		
TOLERANCES UNLESS OTHERWISE SPECIFIED:		APVD R. READ 13JUL1999	NAME 3 WAY RECEPTACLE, DT SERIES (TERMINATING RECEPTACLE) -P006 MOD	
0 PLC ±		PRODUCT SPEC 108-151009	SIZE	CAGE CODE
1 PLC ±		APPLICATION SPEC 114-151009	A2	4AFU8
2 PLC ±		WEIGHT 9.20g	DRAWING NO	RESTRICTED TO
3 PLC ±.025 [0.64]		CUSTOMER DRAWING	©=DT04-3P-P006	-
4 PLC ±		SCALE 3:1	SHEET 1 OF 1	REV B
ANGLES ±1°				
FINISH				