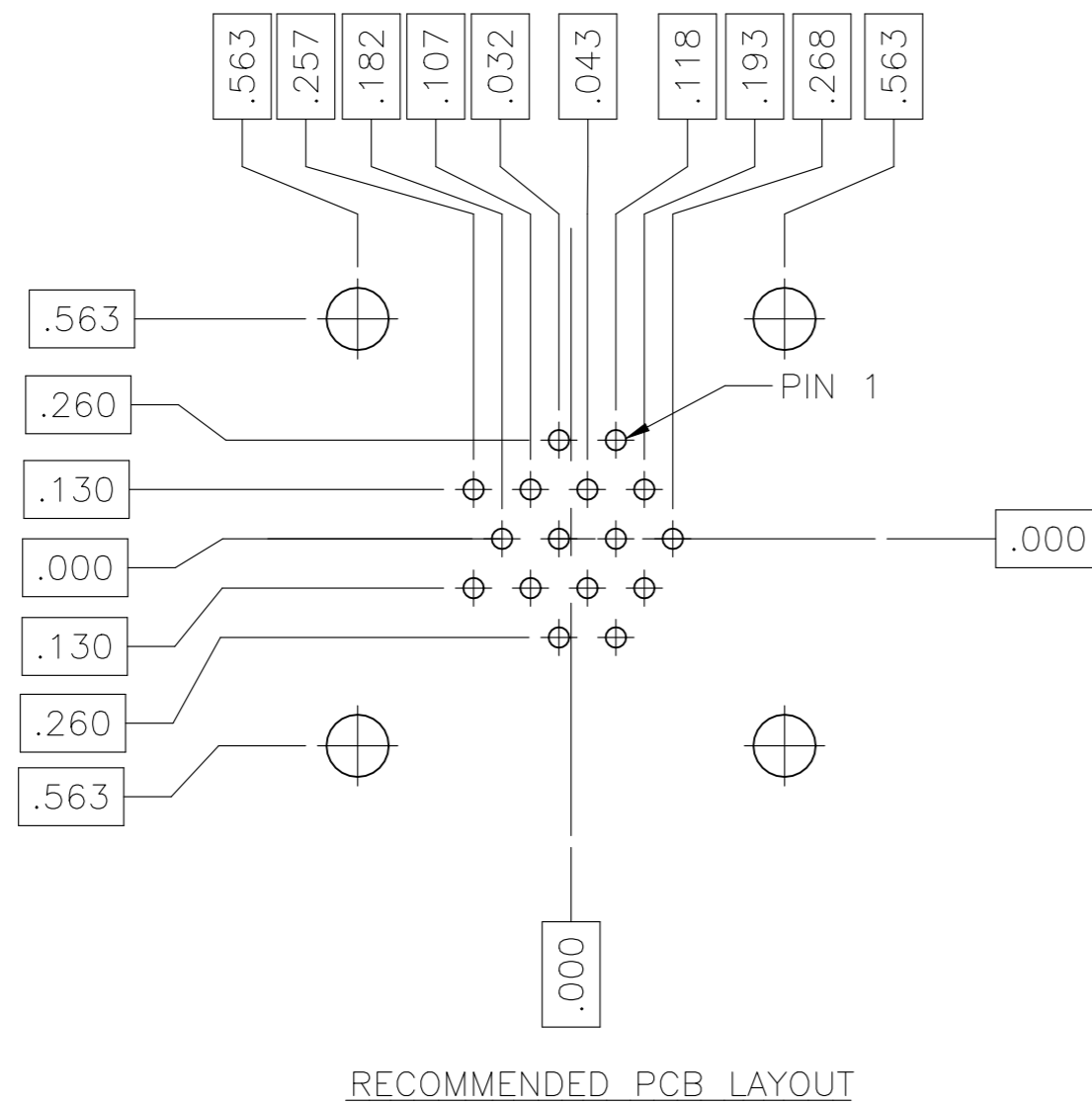
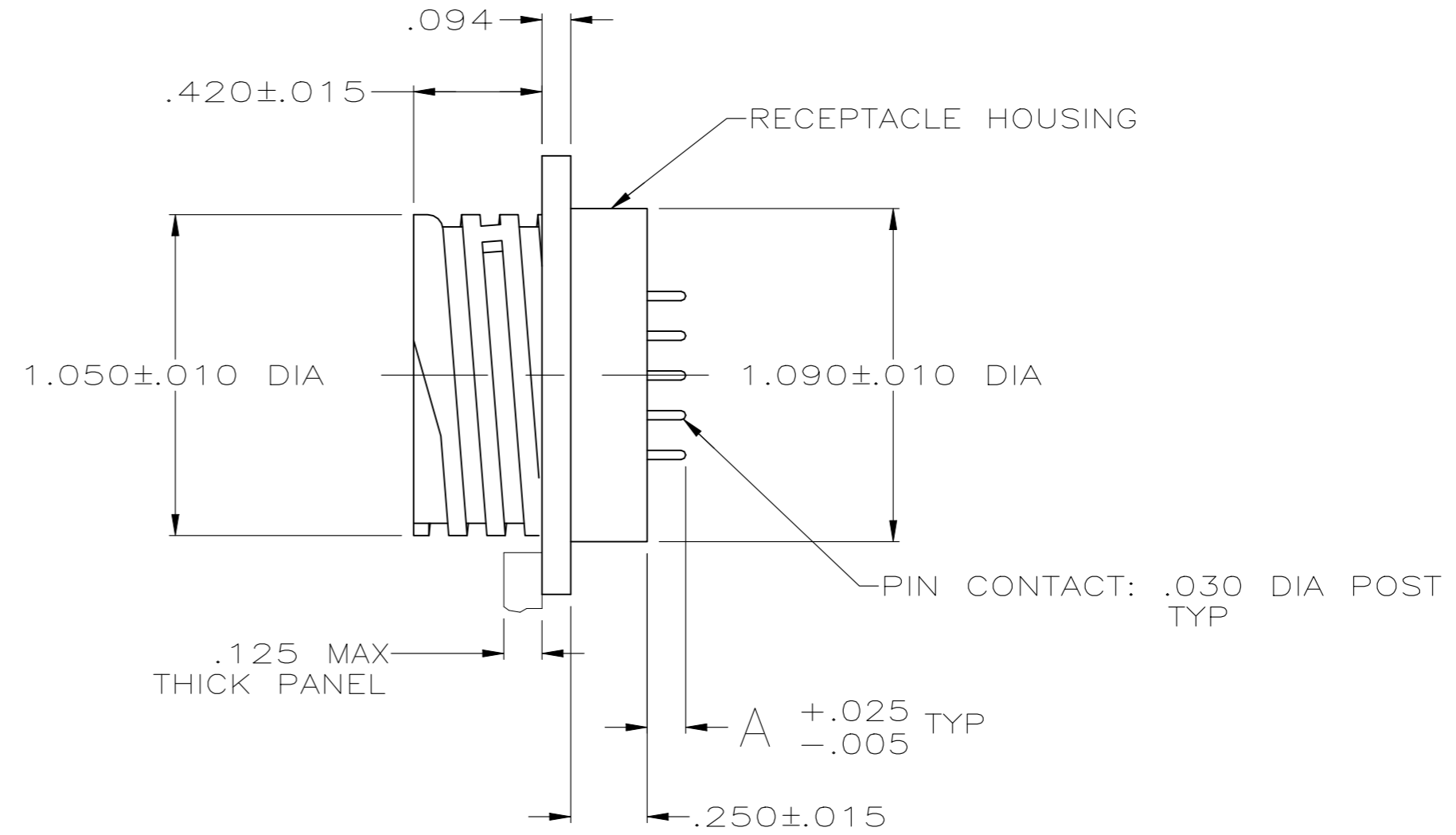
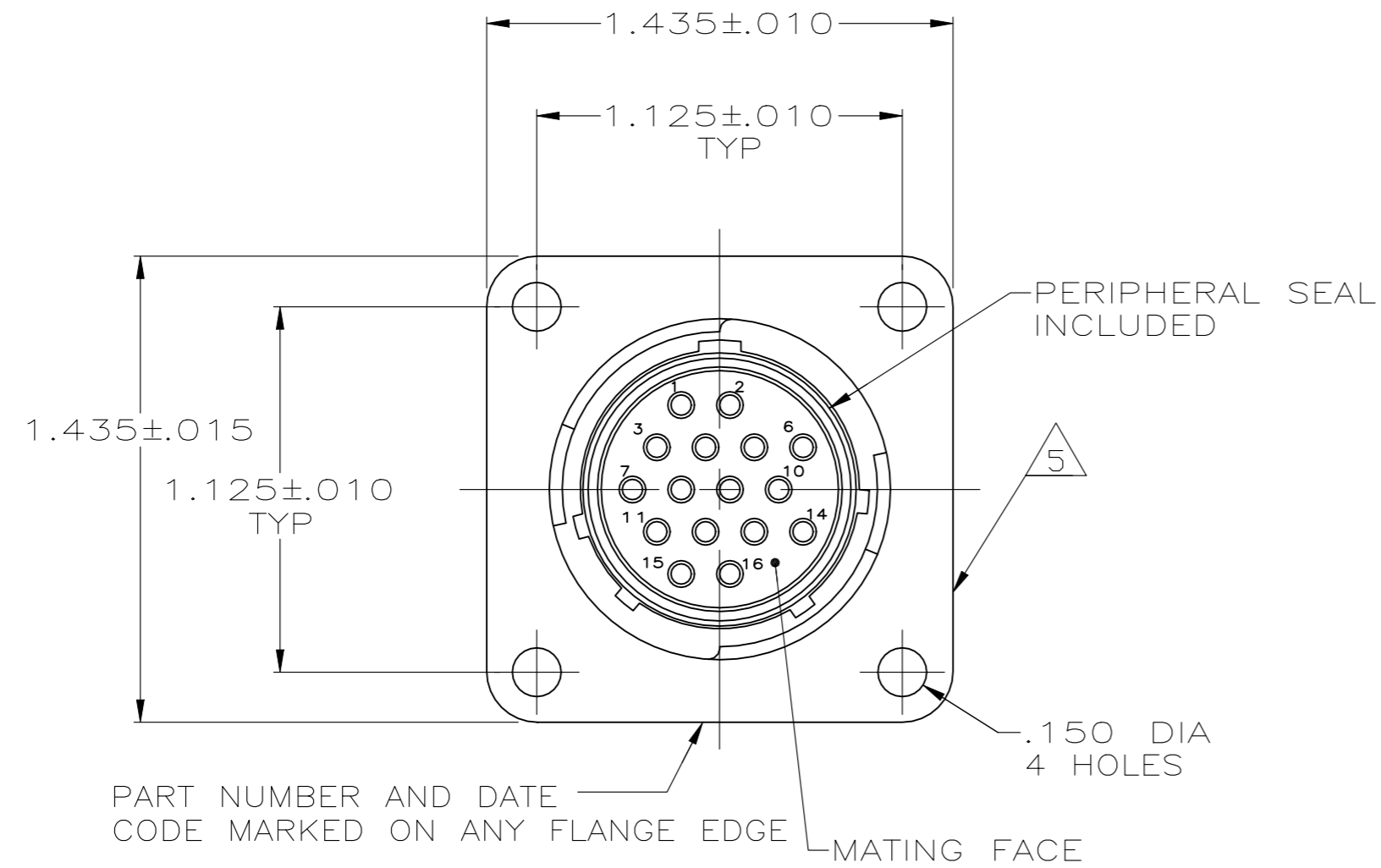


REVISIONS					
P	LTR	DESCRIPTION	DATE	DWN	APVD
K		REVISED PER ECO-21-006948	27OCT2021	RK	MZ



OBSOLETE	.175	4	207292-4
	.175	3	207292-3
	.125	4	207292-2
	.125	3	207292-1
A		FINISH	PART NUMBER

- 1 NYLON, UL 94V-0 RATED, BLACK.
- 2 BRASS.
- 3 .000100 MIN TIN PER MIL-T-10727 OVER NICKEL FLASH PER QQ-N-290.
- 4 .000030 MIN GOLD PER MIL-G-45204 OVER .000030 MIN NICKEL PER QQ-N-290.

5 TE LOGO MARKED ON ANY FLANGE EDGE

THIS DRAWING IS A CONTROLLED DOCUMENT.

DWN	J GALLUCCI BG	5-22-91
CHK	R.STONE	3-4-92
APVD	-	-
PRODUCT SPEC	-	-
APPLICATION SPEC	-	-
WEIGHT	-	-

TE Connectivity

POSTED RECEPTACLE ASSEMBLY, STD SEX, SERIES 1, 17-16, CPC

SIZE	A2	CAGE CODE	00779	DRAWING NO	C=207292	RESTRICTED TO	-
CUSTOMER DRAWING	SCALE	2:1	SHEET	1 OF 1	REV	K	