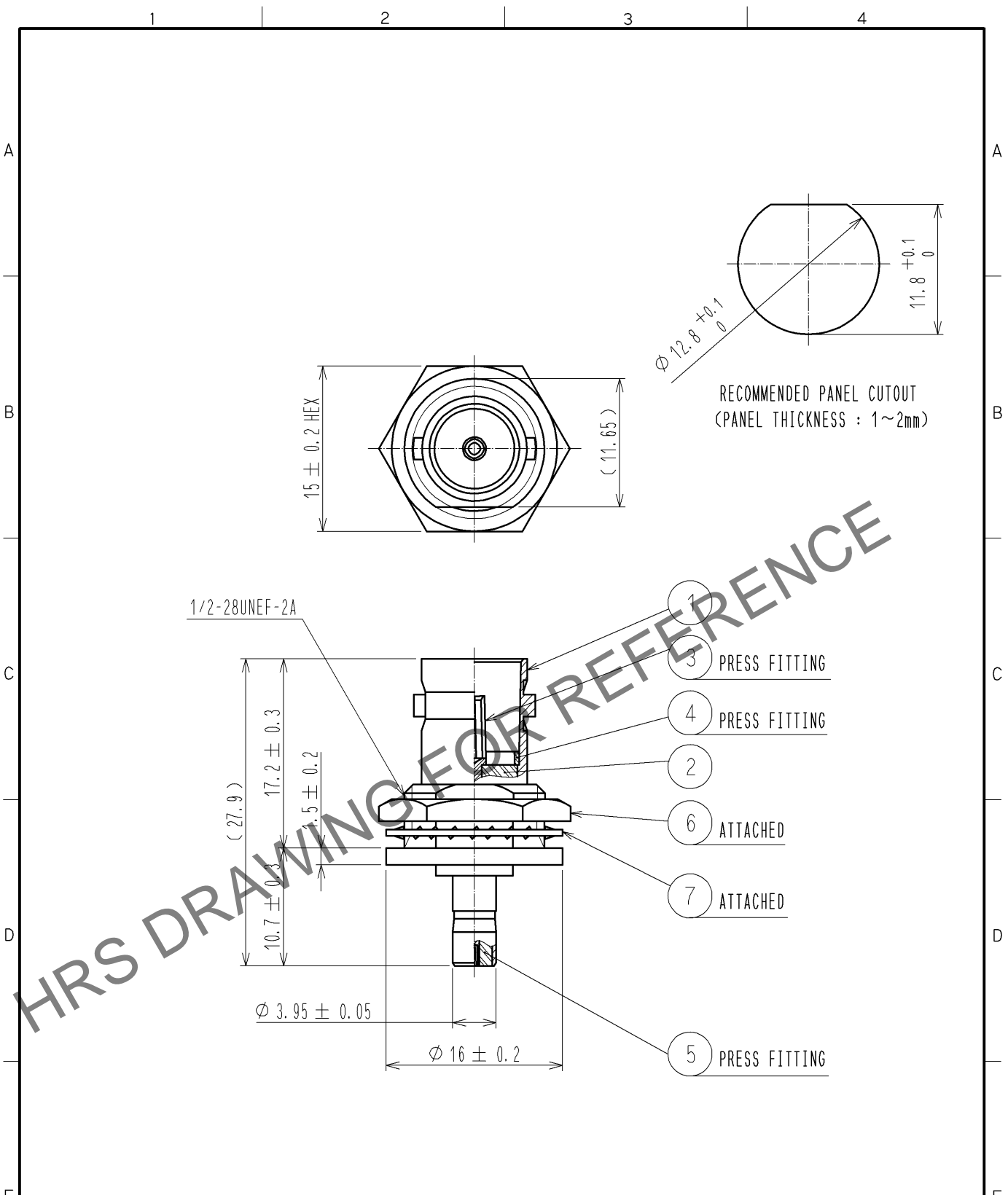


Sep.1.2024 Copyright 2024 HIROSE ELECTRIC CO., LTD. All Rights Reserved.  
 In case of consideration for using Automotive equipment / device which demand high reliability, kindly contact our sales window correspondents.



RoHS COMPLIANT

4	BRASS	NICKEL PLATING					
3	BERYLLIUM COPPER	GOLD PLATING	7	PHOSPHOR BRONZE	NICKEL PLATING		
2	PTFE		6	BRASS	NICKEL PLATING		
1	BRASS	NICKEL PLATING	5	PTFE			
NO.	MATERIAL	FINISH .	REMARKS	NO.	MATERIAL	FINISH .	REMARKS

UNITS mm	SCALE 2 : 1	COUNT	DESCRIPTION OF REVISIONS	DESIGNED	CHECKED	DATE

HIROSE ELECTRIC CO., LTD.	APPROVED : MH. YAMANE	14. 02. 07	DRAWING NO.	EDC4-132506-40	
	CHECKED : TY. OZAKI	14. 02. 07	PART NO.	BNC(75)J-PL71J-BPA(40)	
	DESIGNED : YI. FUNADA	14. 01. 31	CODE NO.	CL311-0304-3-40	1/1
	DRAWN : YI. FUNADA	14. 01. 31			