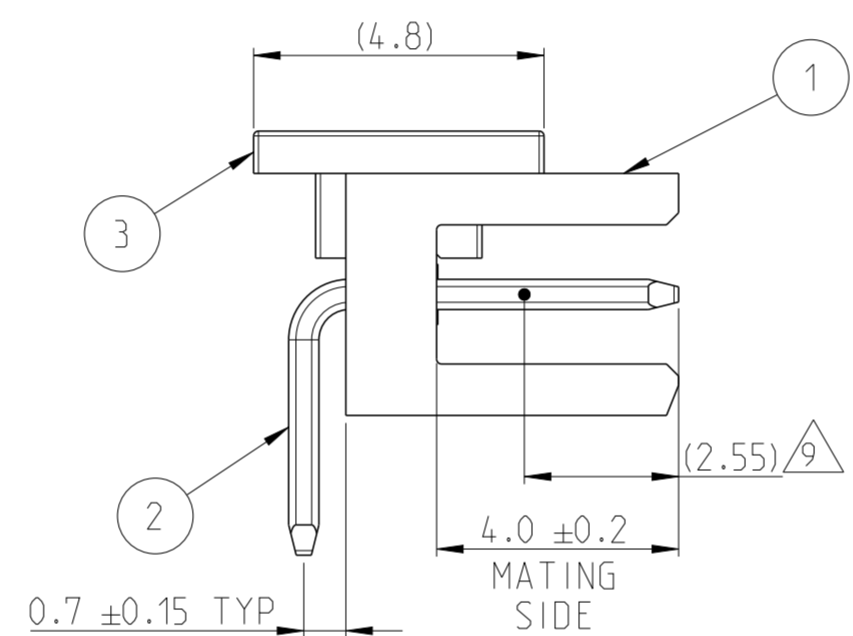
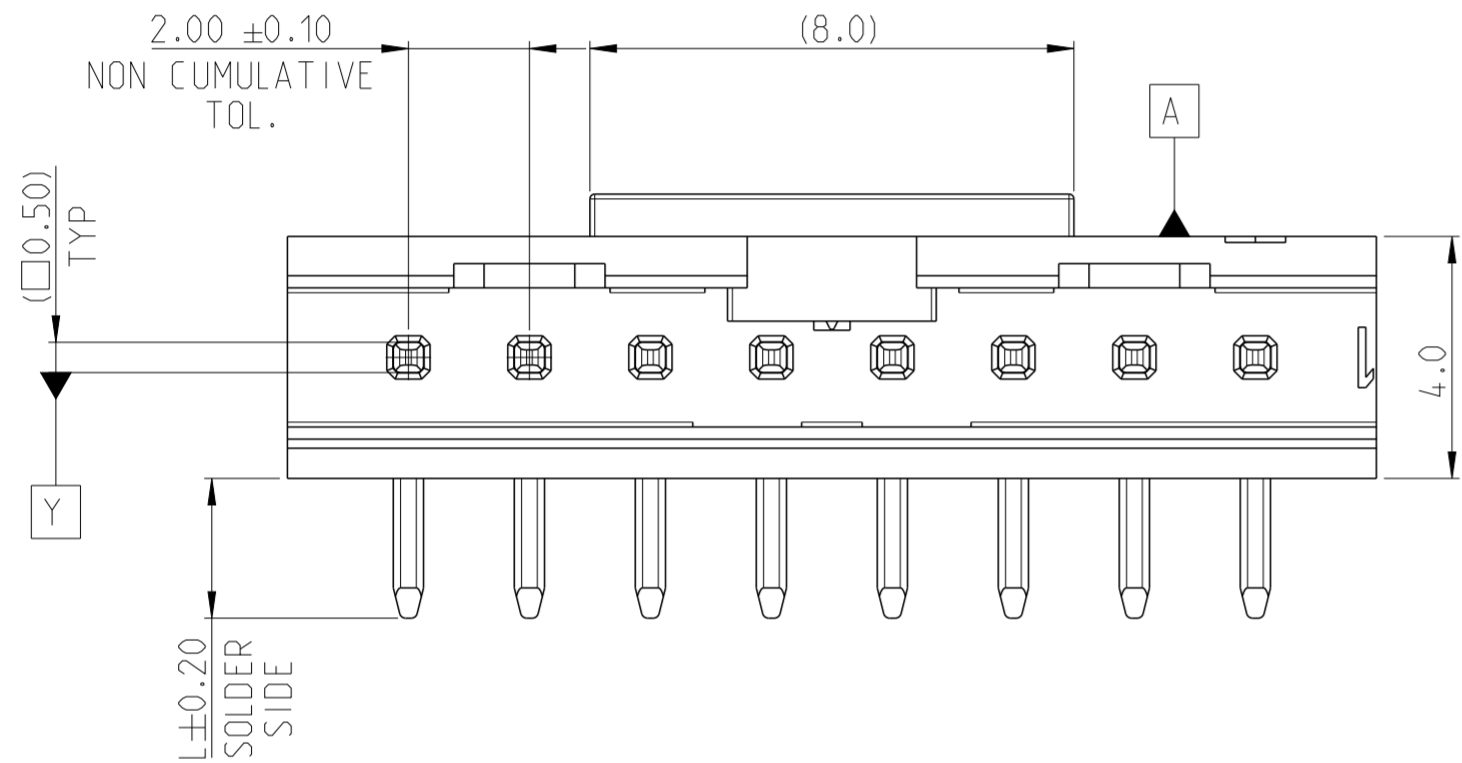
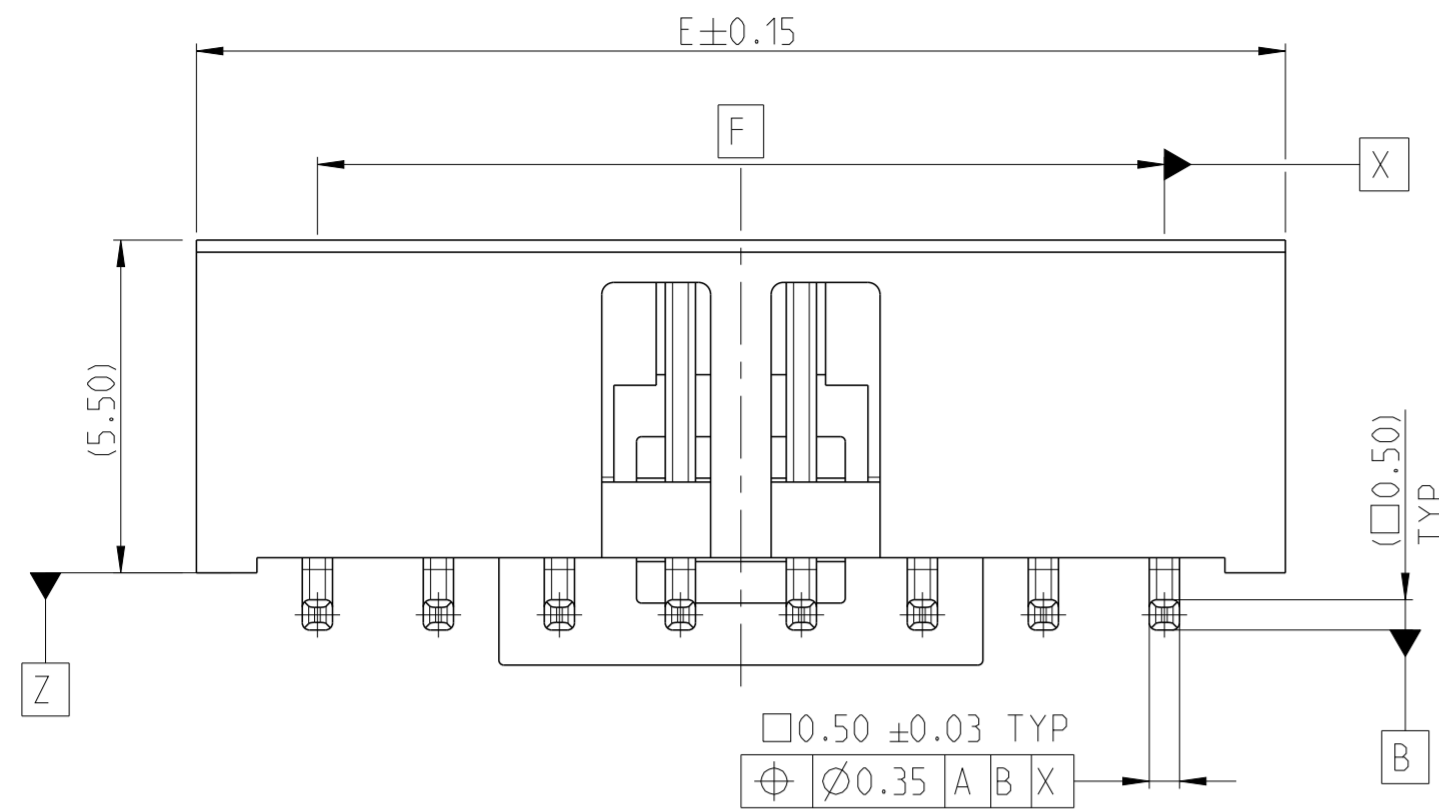


P	LTR	DESCRIPTION	DATE	DWN	APVD
A		RELEASE TO PRODUCTION	20SEP2022	DK	PS
A1		BASE NO ADDED WITH REFERENCE TO THE SMART PN	03NOV2023	Ka	SS



NOTES:

1. MATERIAL: HOUSING & P&P CAP: HIGH TEMPERATURE THERMOPLASTIC, UL94-V0; COLOR- BLACK  
POST: PHOSPHOR BRONZE

FINISH:

- 2 3-5 μm TIN OVER MIN. 1.27 μm NICKEL UNDER PLATING.
- 3 MATING SIDE: MIN. 0.1 μm SELECTIVE GOLD OVER MIN. 1.27 μm NICKEL UNDER PLATING.  
SOLDER SIDE: 4-6 μm TIN OVER MIN. 1.27 μm NICKEL UNDER PLATING.
- 4 MATING SIDE: MIN. 0.38 μm SELECTIVE GOLD OVER MIN. 1.27 μm NICKEL UNDER PLATING.  
SOLDER SIDE: 4-6 μm TIN OVER MIN. 1.27 μm NICKEL UNDER PLATING.
- 5 MATING SIDE: MIN. 0.76 μm SELECTIVE GOLD OVER MIN. 1.27 μm NICKEL UNDER PLATING.  
SOLDER SIDE: 4-6 μm TIN OVER MIN. 1.27 μm NICKEL UNDER PLATING.

6. FOR SMART PART NUMBER, NO. OF POSITIONS PER CONNECTOR HAS TO BE ADDED NEXT TO NO. OF ROWS (2MM-HSD-S\_\_-HT-\_\_-\_\_-\_\_).

FOR EXAMPLE: 2MM-HSD-S02-HT-01-T-TB = 2 POSITION.  
2MM-HSD-S16-HT-01-T-TB = 16 POSITION.

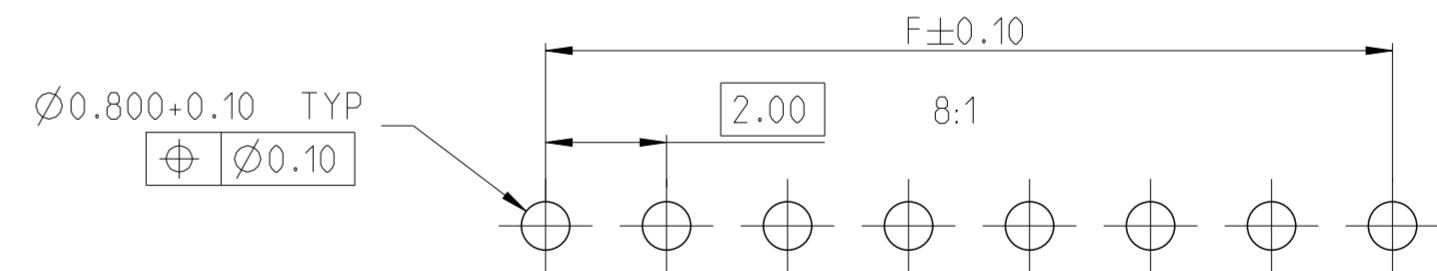
7. PACKAGING: A. TAPE & REEL WITH (W/) CAP.  
B. TUBE WITH (W/) AND WITHOUT (W/O) CAP.

8 FOR T&R W/CAP AND TUBE W/CAP PACKAGING:  
NO PICK AND PLACE CAP FOR -2 POS. HEADER.  
HEADER POSITION STARTS FROM -3 POS.

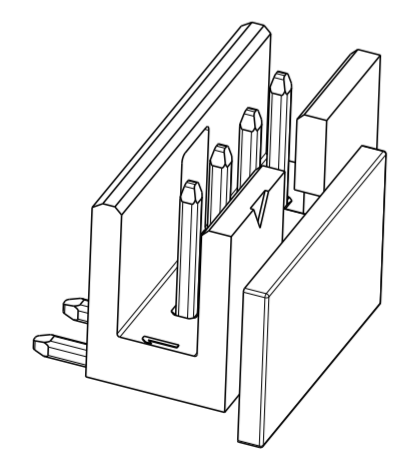
9 PLATING THICKNESS MEASUREMENT POINT REFERENCE FOR SELECTIVE GOLD PLATING AREA

10. "L" DENOTES TAIL LENGTH

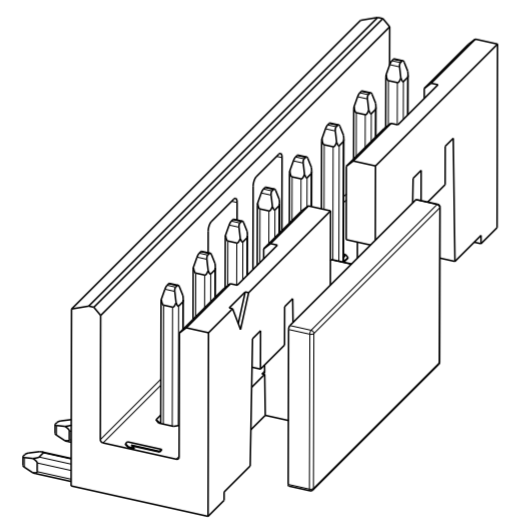
CAP	3
POST	2
HOUSING	1
DESCRIPTION	ITEM NO



RECOMMENDED PCB HOLE PATTERN FOR THROUGH HOLE WAVE



-4 AS SHOWN



-8 AS SHOWN

THIS DRAWING IS A CONTROLLED DOCUMENT.		DWN 11FEB2016 RAKSHITH R NAYAK	TE Connectivity	
DIMENSIONS: mm		CHK 6APR2016 KARTHIK J K		
TOLERANCES UNLESS OTHERWISE SPECIFIED:		APVD 6APR2016 PRASHANTH S	NAME AMPMODU 2mm SHROUDED HEADER SINGLE ROW ,RIGHT ANGLE	
0 PLC ±		PRODUCT SPEC 108-64040	SIZE A2	
1 PLC ±0.1		APPLICATION SPEC 114-64040	CAGE CODE 00779	DRAWING NO C-2823384
2 PLC ±0.05		WEIGHT	RESTRICTED TO -	
3 PLC ±		CUSTOMER DRAWING	SCALE 8:1	SHEET 1 OF 3
4 PLC ±				REV A1
ANGLES ±2°				
FINISH SEE NOTES				

P	LTR	DESCRIPTION	DATE	DWN	APVD
-	-	SEE SHEET 1	-	-	-

SMART PART NUMBER  
 2MM - HSD - S \_\_\_ - HT - \_\_\_ - \_\_\_ - \_\_\_

PRODUCT SERIES

2MM | AMPMODU 2mm series

GENDER / TYPE

HSD | Shrouded headers for detent latch

NUMBER OF ROWS

S | Single row

NUMBER OF PINS PER ROW

XX | 02 through 16  
(enter two digits)

ORIENTATION & TERMINATION

HT | Horizontal through hole

PACKAGING

TB	Tube without cap	
TBP	Tube with cap	⚠
TRP	Tape and reel with cap	⚠

PLATING


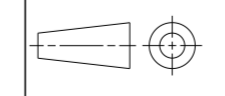
T	Tin
F	0.1µm selective Gold (Gold flash)
M	0.38µm selective Gold
H	0.76µm selective Gold

TAIL LENGTH (L)

01	2.2 mm
02	2.8 mm

SMART PN EXAMPLES :

1. AMPMODU 2MM, SHROUDED HEADER STD VERSION, SINGLE ROW, 02 POSITION PER ROW, RIGHT ANGLE MOUNT, 2.2MM SOLDER TAIL LENGTH, TIN PLATING, TUBE W/O CAP  
2MM-HSD-S02-HT-01-T-TB
2. AMPMODU 2MM, SHROUDED HEADER STD VERSION, SINGLE ROW, 16 POSITION PER ROW, RIGHT ANGLE MOUNT, 2.8MM SOLDER TAIL LENGTH, 0.76µm SELECTIVE GOLD PLATING, TAPE AND REEL WITH CAP  
2MM-HSD-S16-HT-02-H-TRP

THIS DRAWING IS A CONTROLLED DOCUMENT.		DWN 11FEB2016 RAKSHITH R NAYAK	 TE Connectivity		
DIMENSIONS: mm		CHK 6APR2016 KARTHIK J K			
TOLERANCES UNLESS OTHERWISE SPECIFIED: 0 PLC ± 1 PLC ±0.1 2 PLC ±0.05 3 PLC ± 4 PLC ± ANGLES ±2°		APVD 6APR2016 PRASHANTH S	NAME AMPMODU 2mm SHROUDED HEADER SINGLE ROW,RIGHT ANGLE		
		PRODUCT SPEC 108-64040	RESTRICTED TO -		
MATERIAL SEE NOTES		APPLICATION SPEC 114-64040	SIZE A2	CAGE CODE 100779	DRAWING NO C-2823384
FINISH SEE NOTES		WEIGHT	SCALE 1:1		SHEET 2 OF 3
-		CUSTOMER DRAWING	REV A1		


REVISIONS

P	LTR	DESCRIPTION	DATE	DWN	APVD
-	-	SEE SHEET 1	-	-	-

TE INTERNAL BASE NO.	PACKAGING TYPE	MATING SIDE PLATING FINISH	SOLDER TAIL LENGTH "L"	SMART PN
2823384	TUBE W/O CAP	TIN $\triangle 2$	2.2	2MM-HSD-SXX-HT-01-T-TB
2823855	TUBE W/ CAP		2.2	2MM-HSD-SXX-HT-01-T-TBP
2823513	TAPE AND REEL W/ CAP		2.2	2MM-HSD-SXX-HT-01-T-TRP
2823385	TUBE W/O CAP		2.8	2MM-HSD-SXX-HT-02-T-TB
2823863	TUBE W/ CAP		2.8	2MM-HSD-SXX-HT-02-T-TBP
2823517	TAPE AND REEL W/ CAP		2.8	2MM-HSD-SXX-HT-02-T-TRP
2823387	TUBE W/O CAP	SELECTIVE Au flash 0.1 $\mu$ m $\triangle 3$	2.2	2MM-HSD-SXX-HT-01-F-TB
2823856	TUBE W/ CAP		2.2	2MM-HSD-SXX-HT-01-F-TBP
2823514	TAPE AND REEL W/ CAP		2.2	2MM-HSD-SXX-HT-01-F-TRP
2823388	TUBE W/O CAP		2.8	2MM-HSD-SXX-HT-02-F-TB
2823864	TUBE W/ CAP		2.8	2MM-HSD-SXX-HT-02-F-TBP
2823518	TAPE AND REEL W/ CAP		2.8	2MM-HSD-SXX-HT-02-F-TRP
2823390	TUBE W/O CAP	SELECTIVE Au 0.38 $\mu$ m $\triangle 4$	2.2	2MM-HSD-SXX-HT-01-M-TB
2823857	TUBE W/ CAP		2.2	2MM-HSD-SXX-HT-01-M-TBP
2823515	TAPE AND REEL W/ CAP		2.2	2MM-HSD-SXX-HT-01-M-TRP
2823391	TUBE W/O CAP		2.8	2MM-HSD-SXX-HT-02-M-TB
2823865	TUBE W/ CAP		2.8	2MM-HSD-SXX-HT-02-M-TBP
2823519	TAPE AND REEL W/ CAP		2.8	2MM-HSD-SXX-HT-02-M-TRP
2823393	TUBE W/O CAP	SELECTIVE Au 0.76 $\mu$ m $\triangle 5$	2.2	2MM-HSD-SXX-HT-01-H-TB
2823858	TUBE W/ CAP		2.2	2MM-HSD-SXX-HT-01-H-TBP
2823516	TAPE AND REEL W/ CAP		2.2	2MM-HSD-SXX-HT-01-H-TRP
2823394	TUBE W/O CAP		2.8	2MM-HSD-SXX-HT-02-H-TB
2823866	TUBE W/ CAP		2.8	2MM-HSD-SXX-HT-02-H-TBP
2823520	TAPE AND REEL W/ CAP		2.8	2MM-HSD-SXX-HT-02-H-TRP

30	34	16	1-	-6
28	32	15	1-	-5
26	30	14	1-	-4
24	28	13	1-	-3
22	26	12	1-	-2
20	24	11	1-	-1
18	22	10	1-	-0
16	20	9		-9
14	18	8		-8
12	16	7		-7
10	14	6		-6
8	12	5		-5
6	10	4		-4
4	8	3		-3
2	6	2		-2

DIM "F"	DIM "E"	NUMBER OF PINS PER ROW "XX"	TE INTERNAL PART NO.
---------	---------	-----------------------------	----------------------

THIS DRAWING IS A CONTROLLED DOCUMENT.		DWN 11FEB2016 RAKSHITH R NAYAK	 TE Connectivity		
		CHK 6APR2016 KARTHIK J K			
DIMENSIONS: mm		APVD 6APR2016 PRASHANTH S	NAME AMPMODU 2mm SHROUDED HEADER SINGLE ROW ,RIGHT ANGLE		
TOLERANCES UNLESS OTHERWISE SPECIFIED: 0 PLC ± 1 PLC ±0.1 2 PLC ±0.05 3 PLC ± 4 PLC ± ANGLES ±2°		PRODUCT SPEC 108-64040	SIZE A2	CAGE CODE 100779	DRAWING NO C-2823384
MATERIAL SEE NOTES		FINISH SEE NOTES	WEIGHT	RESTRICTED TO -	SCALE 4:1 SHEET 3 OF 3 REV A1
		CUSTOMER DRAWING			