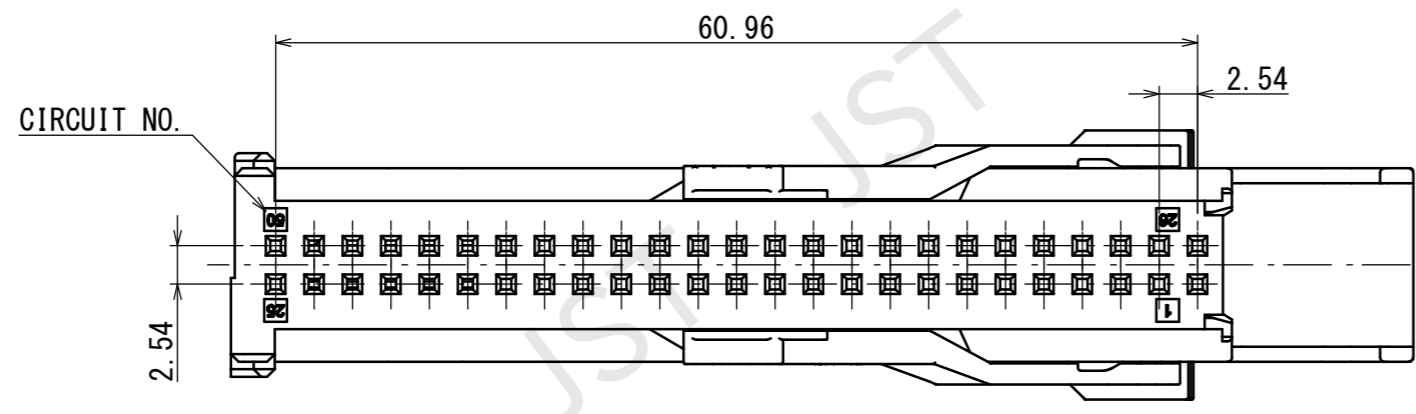
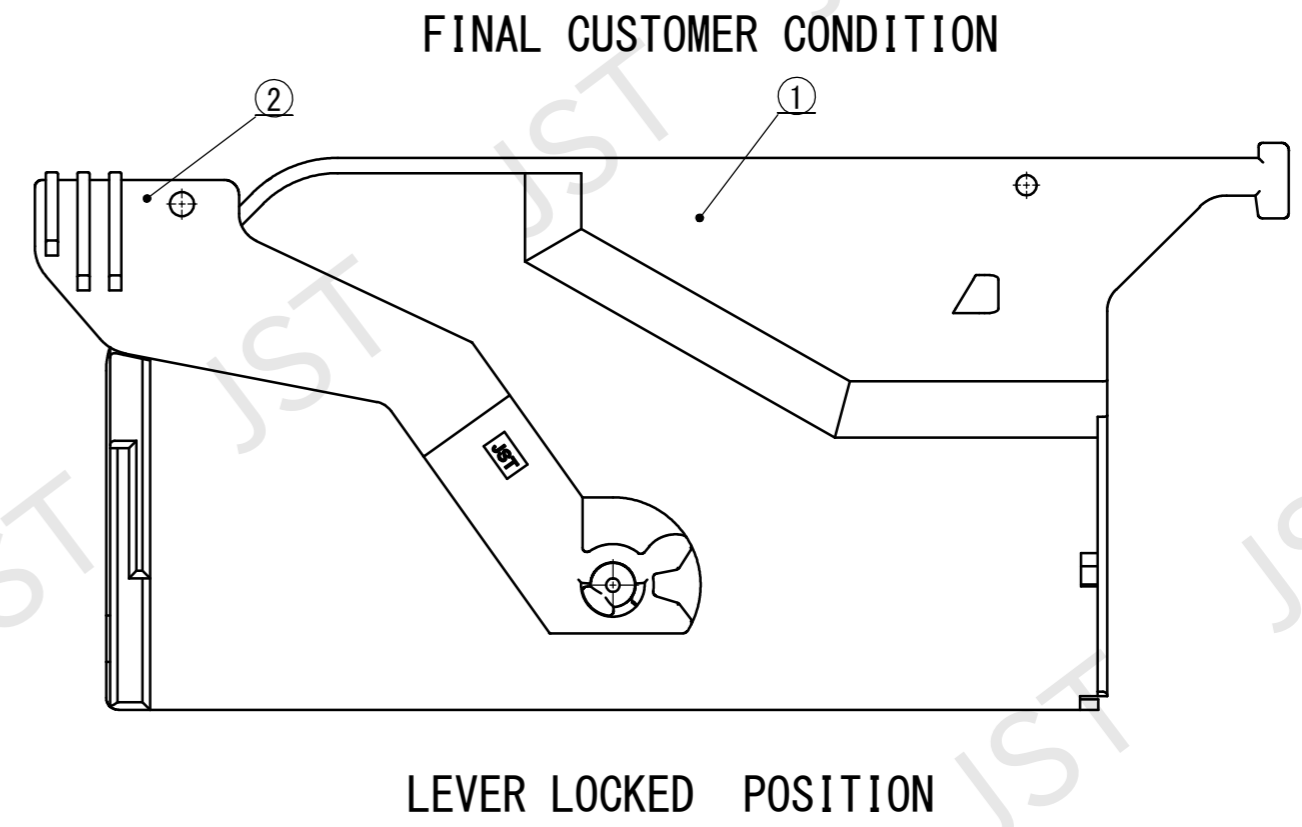
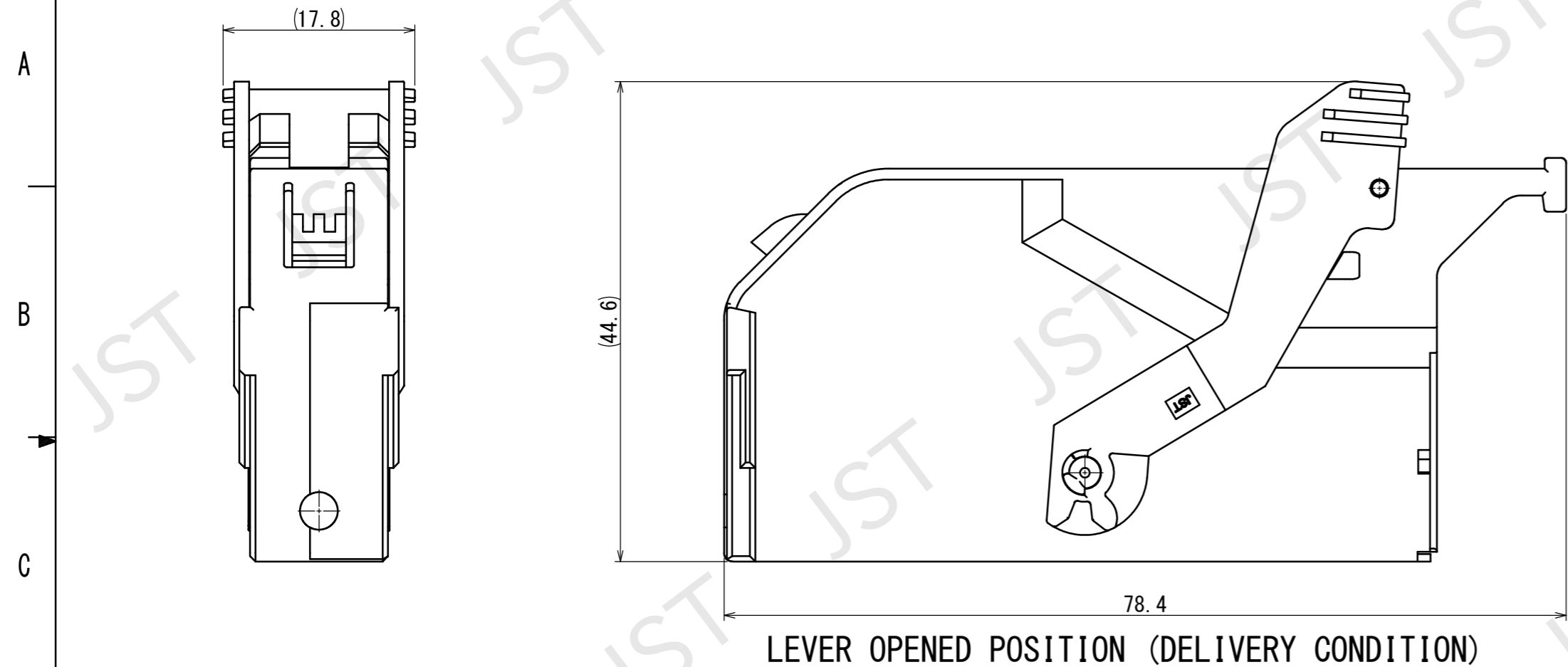


THIS DRAWING CONTAINS INFORMATION THAT IS PROPRIETARY TO J.S.T. AND SHALL NOT BE USED OR ADAPTED, COPIED, OR PUBLISHED WITHOUT WRITTEN PERMISSION.

1 2 3 4 5 6 7 8 9 10 11 12

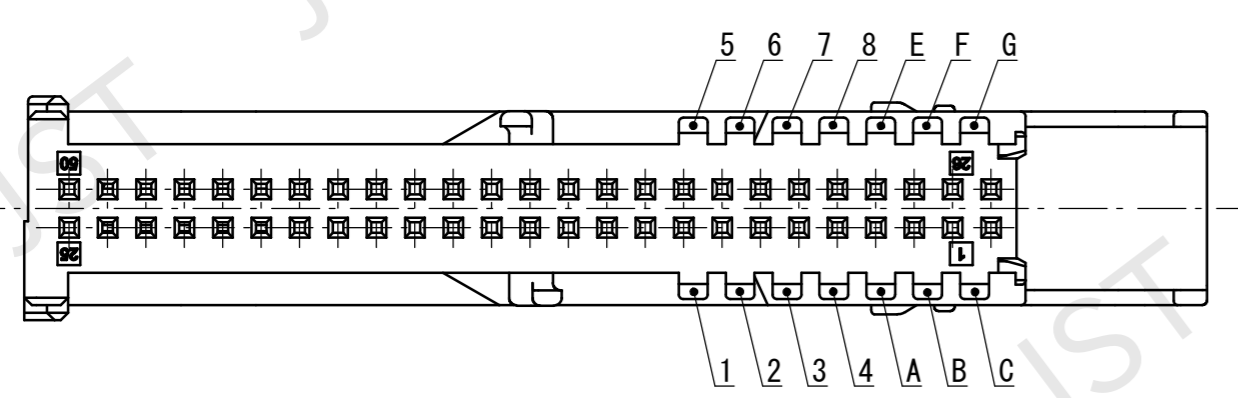
REV.	DESCRIPTION	DATE	
△			0



GIT 50P FEMALE CONNECTOR (OPPOSITE DIRECTION) PART LIST

KEY-CODE	PART NO.	COLOR	
		COVER	LEVER
B, 6	50GIT-CL-2A-37H-03	ORANGE	GRAY
F	50GIT-CL-2A-37M-01	ORANGE	GREEN
	50GIT-CL-2A-37H-01	ORANGE	GRAY
A, 5	50GIT-CL-2A-37-02	ORANGE	BLACK
C, G	50GIT-CL-2A-37-04	ORANGE	BLACK
C, 8	50GIT-CL-2A-37M-05	ORANGE	GREEN

KEYING OPTIONS



- NOTE**
- GENERAL TOLERANCE : ± 0.3
 - FEMALE CONNECTOR PART NO. AND KEYCODE SEE TABLE

2	LEVER	PBT (GF)		SEE TABLE
1	FEMALE HOUSING COVER	PBT (GF)		SEE TABLE
No.	PART NAME	MATERIAL	SURFACE FINISH	REMARKS
SIZE	UNIT	SCALE	PROJECTION	DATE
A2	METRIC	2:1		Mar 26, 2024
SERIES NAME		GIT 50P FEMALE CONNECTOR (OPPOSITE DIRECTION)		
PART No.		50GIT-CL-2A-37()-()		
DRAWING No.		KRD-55432		RO

