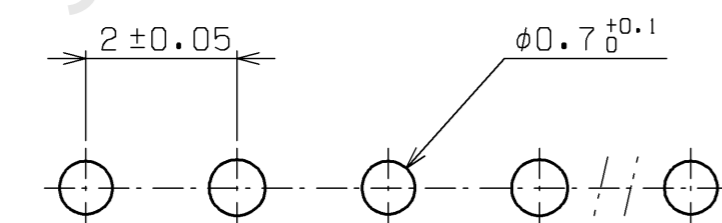
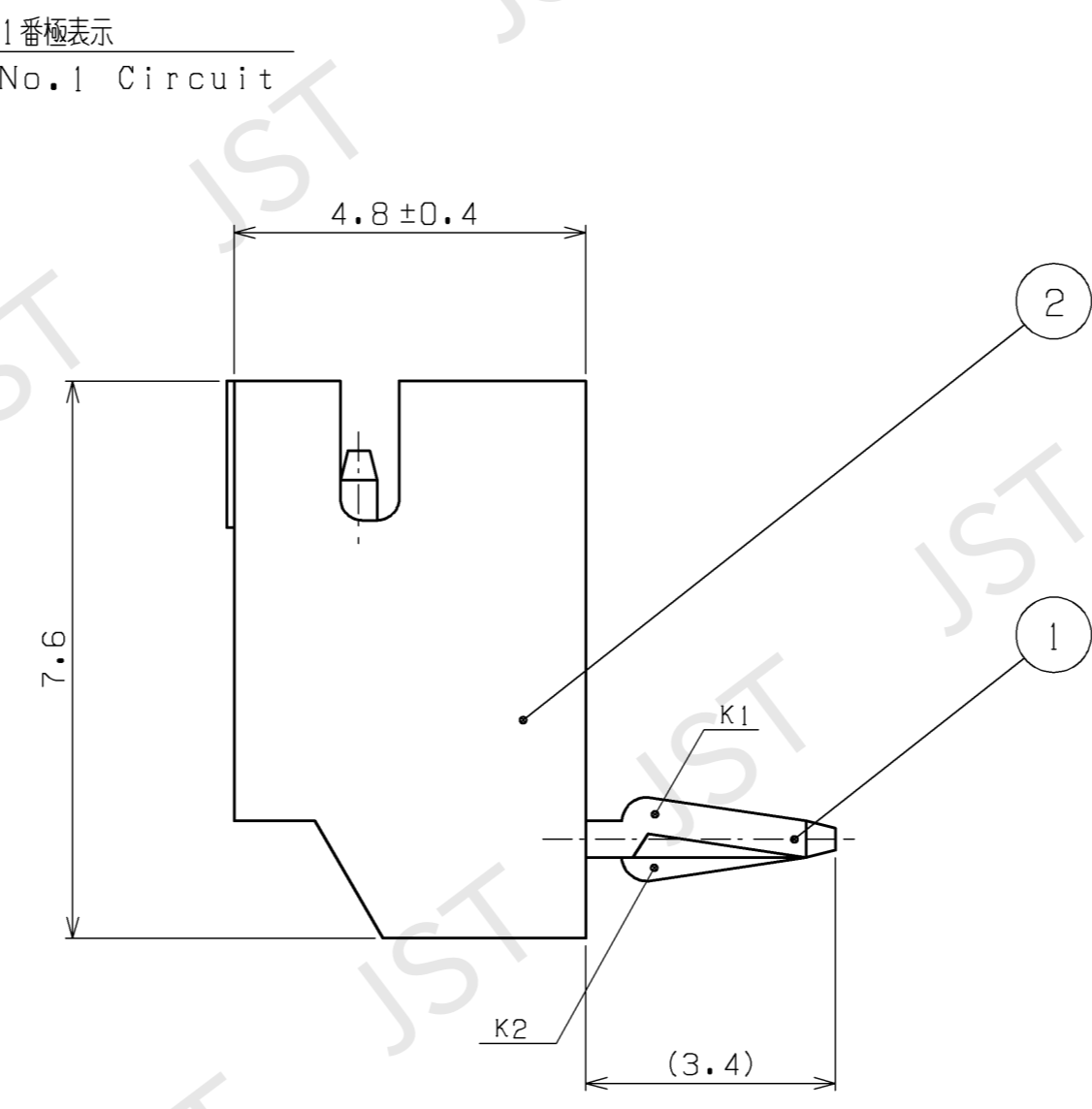
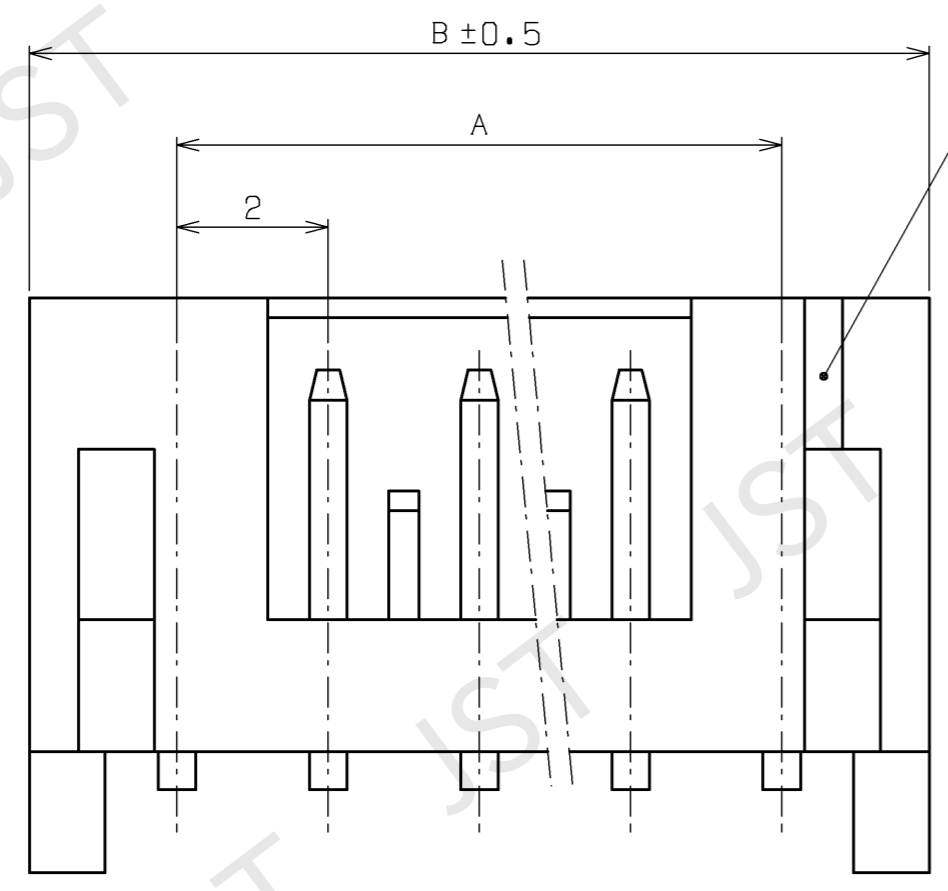
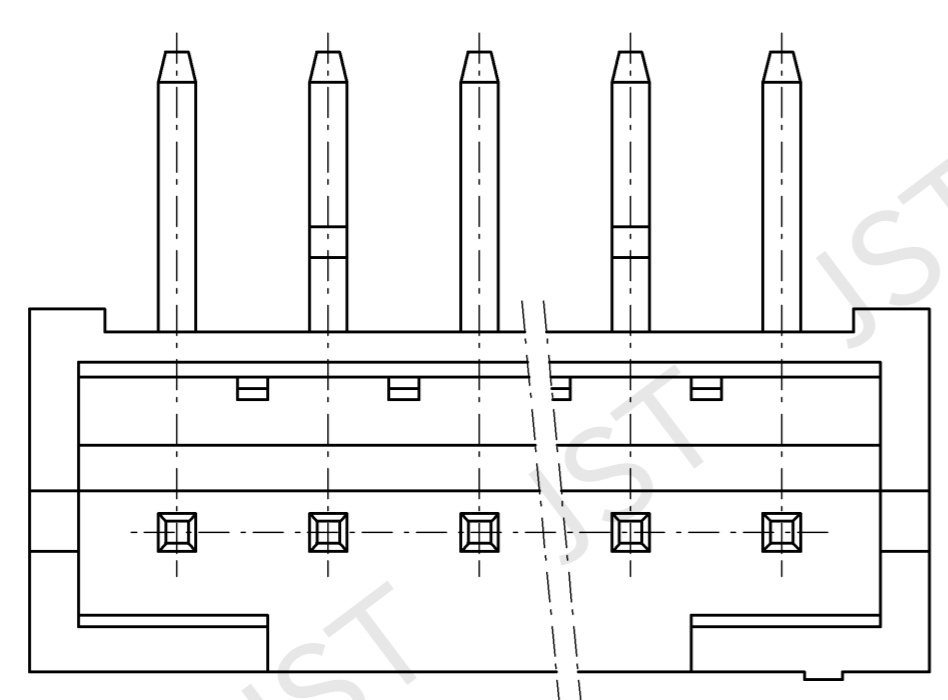


THIS DRAWING CONTAINS INFORMATION THAT IS PROPRIETARY TO J.S.T. AND SHALL NOT BE USED OR ADAPTED, COPIED, OR PUBLISHED WITHOUT WRITTEN PERMISSION. IN THE EVENT THAT THERE ARISE ANY DOUBTS OR CONTROVERSIES BETWEEN JAPANESE AND ENGLISH EXPRESSION, THE JAPANESE TEXT SHALL PREVAIL.

1 2 3 4 5 6 7 8 9 10 11 12

| REV. | 変更事項<br>DESCRIPTORS | 年月日<br>DATE | 0 |
|------|---------------------|-------------|---|
|      |                     |             |   |



基板レイアウト  
PCB layout (From top view)

| Pin No.        | 30.0 | 33.9 | ○  | K1 | ○  | ○  | ○  | ○  | ○  | ○ | K2 | ○ | ○ | ○ | ○ | K1 | ○ |   |
|----------------|------|------|----|----|----|----|----|----|----|---|----|---|---|---|---|----|---|---|
| 16             |      |      |    |    |    |    |    |    |    |   |    |   |   |   |   |    |   |   |
| 15             |      |      |    |    |    |    |    |    |    |   |    |   |   |   |   |    |   |   |
| 14             |      |      |    |    |    |    |    |    |    |   |    |   |   |   |   |    |   |   |
| 13             |      |      |    |    |    |    |    |    |    |   |    |   |   |   |   |    |   |   |
| 12             |      |      |    |    |    |    |    |    |    |   |    |   |   |   |   |    |   |   |
| 11             |      |      |    |    |    |    |    |    |    |   |    |   |   |   |   |    |   |   |
| 10             |      |      |    |    |    |    |    |    |    |   |    |   |   |   |   |    |   |   |
| 9              |      |      |    |    |    |    |    |    |    |   |    |   |   |   |   |    |   |   |
| 8              |      |      |    |    |    |    |    |    |    |   |    |   |   |   |   |    |   |   |
| 7              |      |      |    |    |    |    |    |    |    |   |    |   |   |   |   |    |   |   |
| 6              |      |      |    |    |    |    |    |    |    |   |    |   |   |   |   |    |   |   |
| 5              |      |      |    |    |    |    |    |    |    |   |    |   |   |   |   |    |   |   |
| 4              |      |      |    |    |    |    |    |    |    |   |    |   |   |   |   |    |   |   |
| 3              |      |      |    |    |    |    |    |    |    |   |    |   |   |   |   |    |   |   |
| 2              |      |      |    |    |    |    |    |    |    |   |    |   |   |   |   |    |   |   |
| 極数<br>Circuits | A    | B    | 16 | 15 | 14 | 13 | 12 | 11 | 10 | 9 | 8  | 7 | 6 | 5 | 4 | 3  | 2 | 1 |

表 1  
TABLE 1

ポストクリンチ方向及び位置/CLINCHED PINS DETAILS  
K1, K2: クリンチ有り/K1, K2: POST CLINCHED  
○: クリンチ無し/ ○: POST UNCLINCHED

NOTE  
1. 指定公差 :  $\pm 0.3$   
2. ポストクリンチ方向及び位置は表1に示す。  
3. 基板の穴ピッチの公差は累積しないこと。

NOTE  
1. Unless otherwise specified, tolerances are  $\pm 0.3$ .  
2. Clinched pins directions and locations are shown in table 1.  
3. Tolerance of hole pitch on PCB is not cumulative.

|             |                  |                     |                      |                                 |
|-------------|------------------|---------------------|----------------------|---------------------------------|
| 2           | ハウジング<br>HOUSING | PA                  |                      | UL94V-0, ナチュラル<br>NATURAL       |
| 1           | ポスト<br>POST      | 銅合金<br>COPPER ALLOY | すずめっき<br>TIN PLATED  |                                 |
| 品番<br>No.   | 部品名<br>PART NAME | 材質<br>MATERIAL      | 処理<br>SURFACE FINISH | 備考<br>REMARKS                   |
| サイズ<br>SIZE | 単位<br>UNIT       | 投影法<br>PROJECTION   | 作図年月日<br>DATE        | 納入先<br>CUSTOMER                 |
| A2          | METRIC           |                     | FEB. 29, 2024        |                                 |
|             |                  |                     | 尺度<br>SCALE          | 品名<br>SERIES NAME               |
|             |                  |                     | 10:1                 | PH, KR コネクタ<br>PH, KR CONNECTOR |
|             |                  |                     |                      | 形番<br>PART No.                  |
|             |                  |                     |                      | S ( ) B-PH-K-S (LF) (SN)        |
|             |                  |                     |                      | 図番<br>DRAWING No.               |
|             |                  |                     |                      | KRD-35429-3 RD                  |